

The 067 Series is a 22mm wide, pad mount, flapper isolation valve designed to control the flow of neutral or aggressive fluids. The 067 Series offers the following benefits:

- Create separation between the solenoid and fluid
- Excellent self-draining capability and easy-to-flush internal cavity
- "Flapper" mechanism yields no pumping or sticking effect

Construction

Valve Wetted Parts	
Body	PEEK
Diaphragm	FFKM, EPDM, FKM

Electrical

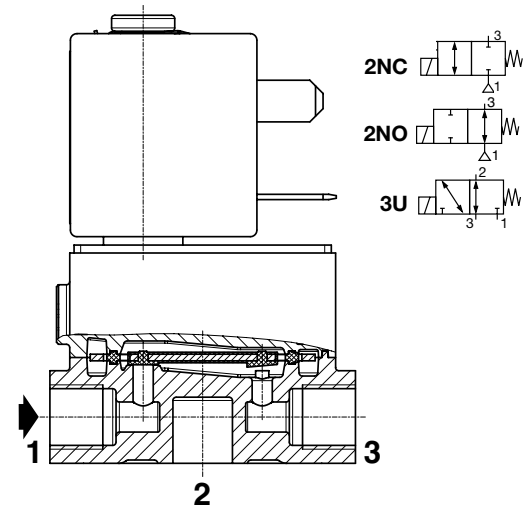
Standard Voltages	12 VDC, 24 VDC
Coil Insulation	311°F (155°C)
Power Consumption	10 W
Duty Cycle	Consult ASCO
Electrica Connection	DIN Spade Connectors, Flying Leads
DIN Connector	Size 11mm, DIN 43650 Form B

Valve

Response Time	~10 ms
Internal Volume	< 48µl (connections not included)
Maximum Viscosity of Fluid	20 cSt (mm ² /s)

Alternate Construction Options

Many alternate constructions/options are available, including power save circuit and inline porting. Minimum quantities apply.



Temperature Range:

Ambient:

50°F to 122°F (10°C to 50°C)

Media:

FFKM = 32°F to 158°F (0°C to 70°C)

FKM = 50°F to 104°F (10°C to 40°C)

EPDM = 41°F to 104°F (5°C to 40°C)

Approvals:

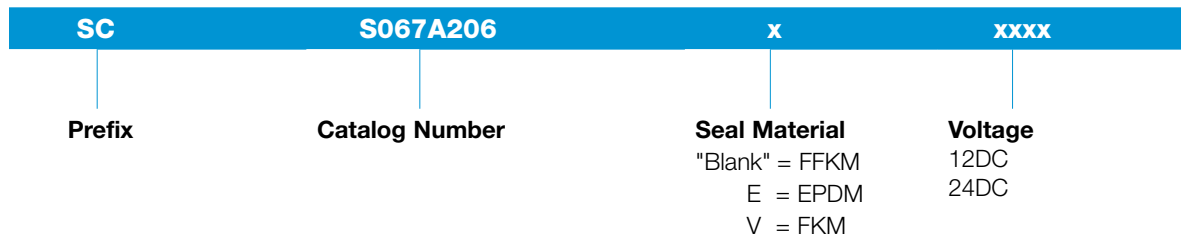
Meets Applicable CE directives

Specifications

Port Type	Orifice Size (in)	Cv Flow Factor	Operating Pressure (psi)		Electrical Connection Type	Prefix	Catalog No.	Const. Ref.	Power (Watts)	Weight (oz)
			Vac. (in Hg)	Max.						
2/2 NC - Normally Closed										
Pad Mount	0.079	0.116	26	145	1	SC	S067A206xxxx	1	10	4.4
					2	L		2		4.2
	0.118	0.186	26	44	1	SC	S067A207xxxx	1	10	4.4
					2	L		2		4.2
	0.157	0.348	26	22	1	SC	S067A208xxxx	1	10	4.4
					2	L		2		4.2
2/2 NO - Normally Open										
Pad Mount	0.079	0.116	26	73	1	SC	S067A212xxxx	1	10	4.4
					2	L		2		4.2
	0.118	0.186	26	29	1	SC	S067A213xxxx	1	10	4.4
					2	L		2		4.2
	0.157	0.348	26	15	1	SC	S067A214xxxx	1	10	4.4
					2	L		2		4.2
3/2 U - Universal Operation										
Pad Mount	0.079	0.116	26	73	1	SC	S067A200xxxx	1	10	4.4
					2	L		2		4.2
	0.118	0.186	26	29	1	SC	S067A201xxxx	1	10	4.4
					2	L		2		4.2
	0.157	0.348	26	15	1	SC	S067A202xxxx	1	10	4.4
					2	L		2		4.2

Electrical Connection Type
 1 = DIN Connector
 2 = Flying Leads, 18" long

Catalog Number and Options



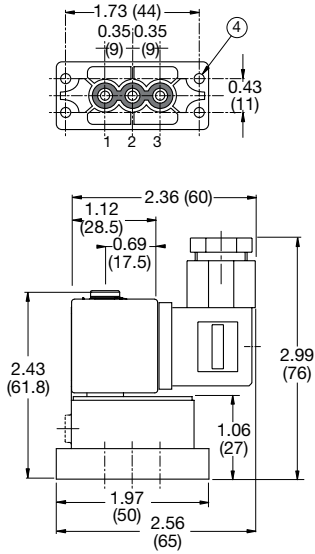
Examples

SCS067A206 12DC = 2-Way normally closed, .079" orifice, FFKM Seals, 12VDC

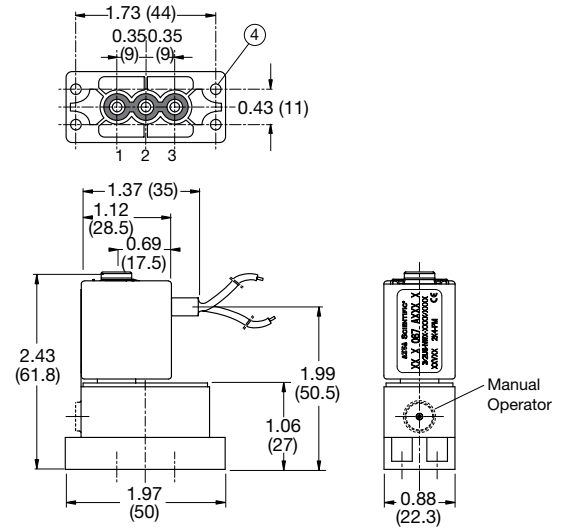
LS067A202E24DC = 3-Way universal operation, .157" orifice, EPDM Seals, 24VDC

Dimensions: Inches (mm)

Const. Ref. 1



Const. Ref. 2



Note: 4-M3 x .8mm stainless steel mounting series included

Sub-Base Mounting Pattern

