

The 188 LF is a 3-way, 10mm wide "High Flow" solenoid designed to control the flow of air and inert gases. The "High Flow" is a major advantage over similar sized products in this market.

- Compact design saves space and reduces assembly time
- High Flow
- Low Power Consumption

## Construction

Valve Wetted Parts	
Body	PA
Internal Parts	Stainless steel, nickel-plated steel, aluminum
Seals	NBR

## Electrical

Standard Voltages	12 VDC, 24 VDC
Power Consumption Inrush Holding	3.2 Watt (100 ms) 1.3 Watt
Duty Cycle Rating	Continuous
Coil Insulation	311°F (155°C)
Electrical Connection	Connector with 24 AWG lead wires, and power save circuit

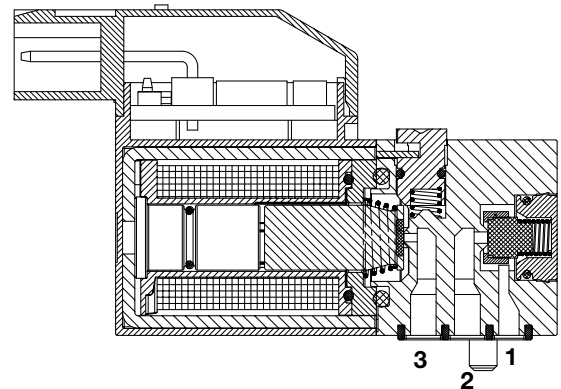
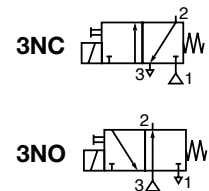
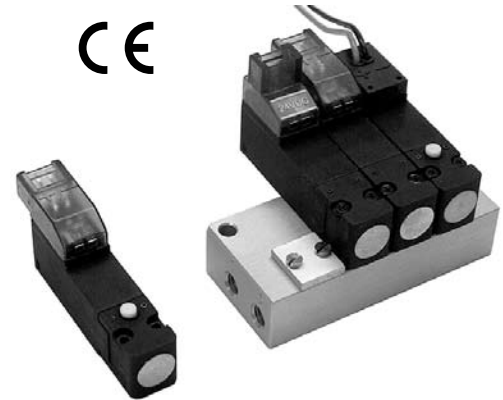
## Valve

Response Time	~10 ms
---------------	--------

## Alternate Construction/Options

Additional constructions and options are available including alternate elastomers, latching coils and electrical connections. Minimum quantities apply.

CE



## Temperature Range:

Ambient and Media:  
41°F to 122°F (5°C to 50°C)

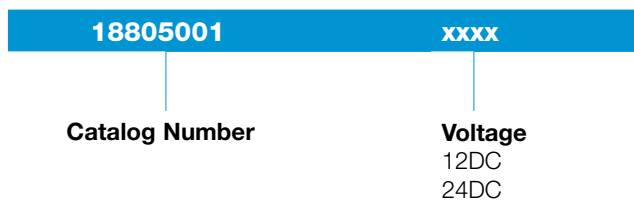
## Approvals:

Meets applicable CE directives.

## Specifications

Port Type	Orifice Size (in)	Cv Flow Factor	Operating Pressure (psi)		Catalog Number	Power (Watts)	Weight (oz)
			Min.	Max.			
<b>3/2NC - Normally Closed</b>							
Pad Mount	0.039	0.012	0	145	18805001xxxx	1.3	0.6
	0.051	0.027	0	87	18805006xxxx	1.3	0.6
	0.063	0.039	0	51	18805011xxxx	1.3	0.6
	0.075	0.044	0	29	18805016xxxx	1.3	0.6
<b>3/2NO - Normally Open</b>							
Pad Mount	0.039	0.012	0	116	18805021xxxx	1.3	0.6
	0.051	0.027	0	58	18805026xxxx	1.3	0.6
	0.063	0.039	0	22	18805031xxxx	1.3	0.6
	0.075	0.044	0	7	18805036xxxx	1.3	0.6

## Catalog Number Description and Options

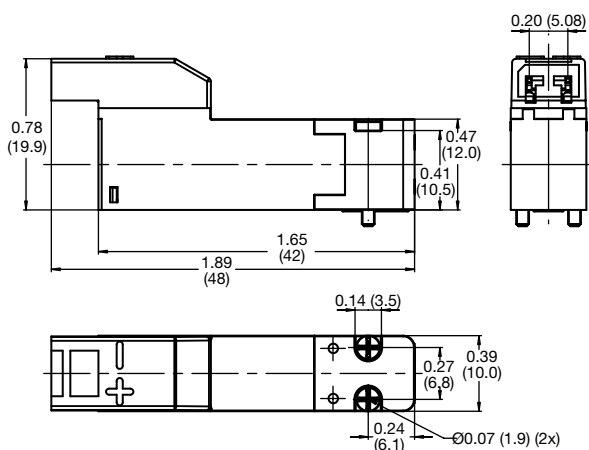


### Examples

1880500124DC = 3-way normally closed with 0.039" orifice

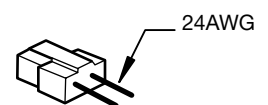
## Dimensions: Inches (mm)

### Const. Ref 1



The connectors to be ordered separately.  
Includes one connector with two wires

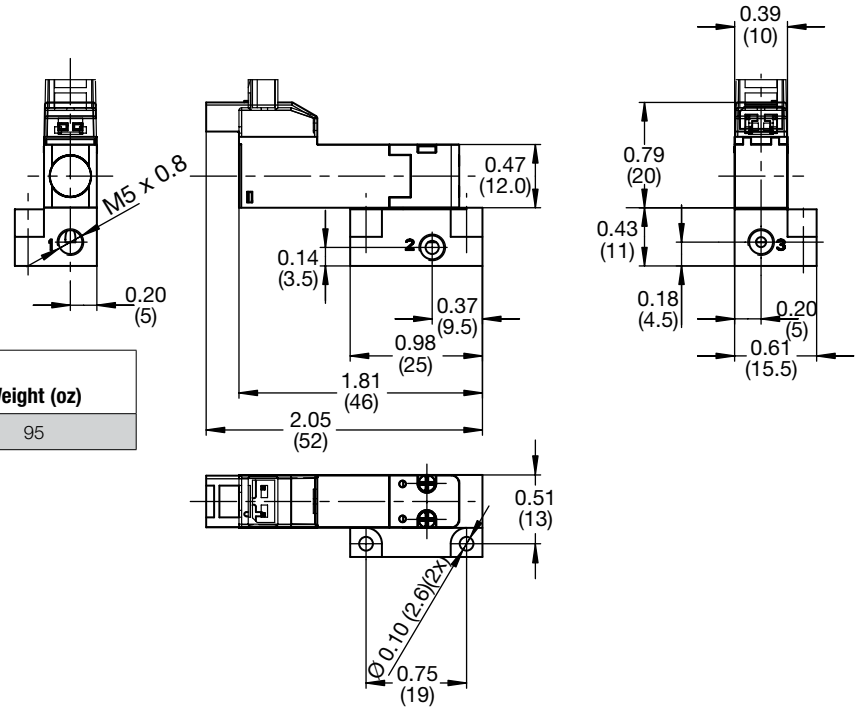
Length	Catalog Number
20" (0.5m)	88118801
59" (1.5m)	88118802
118" (3m)	88118803



Dimensions (Continued): Inches (mm)

Valve Mounted on Single Sub-Base

Number of Valves	Subbase Catalog Number	Weight (oz)
1	35300207	95



Manifold Interface

