

The 190 & 330 Series are 2-Way, normally closed isolation valves constructed with PTFE materials, which makes them virtually impervious to chemical attack. The 190 Series is a single valve while the 330 Series offers the same valve in a 2, 3, or 4 position manifold configuration for use in chromatography, solvent selection, and process sampling.

- PTFE diaphragm shields the internal components of the solenoid from the media to handle the most aggressive fluids.
- Compact size saves valuable space in equipment.

Construction

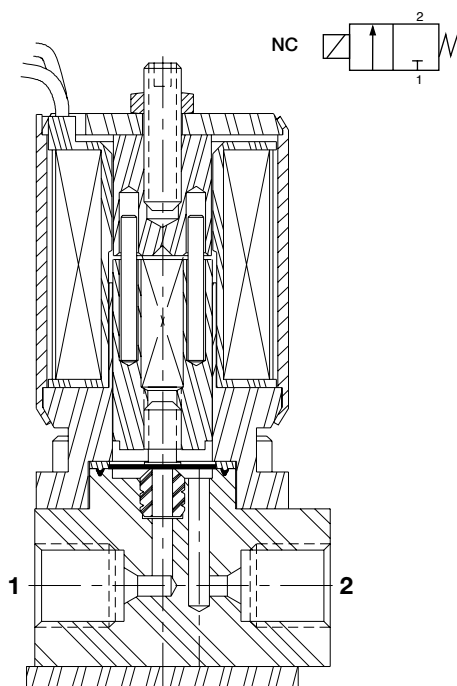
Valve Wetted Parts	
Body	PTFE
Seat	PCTFE
Diaphragm	PTFE

Electrical

Standard Voltages	12 VDC, 24 VDC
Power Consumption	2.9 - 3.8 Watts
Duty Cycle Rating	Continuous
Coil Insulation	356°F (180°C)
Electrical Connection	26 AWG Hard Wire

Valve

Response Time	~5 ms at rated voltage (2 watt coil)
Internal Volume	20 µL from port 1 to seat (not including port) 52 µL from port 2 to seat (not including port)
Vacuum Rating	29" Hg



Temperature Range:

Ambient & Media:
32°F to 77°F (0°C to 25°C)

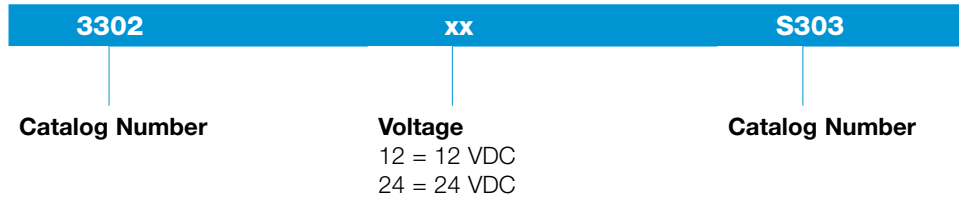
Approvals:

Meets applicable CE directives.

Specifications

Port Type	Orifice Size (in)	Cv Flow Factor	Operating Pressure (psi)		Catalog Number	No. of Solenoids	Power (Watts)	Weight (oz)
			Vac. (in Hg)	Max.				
2/2NC - Normally Closed								
1/4-28 UNF Flat Bottom	0.062	0.03	29	30	1902xxS30	1	2.9 (12VDC), 3.8 (24VDC)	2.0
1/4-28 UNF Flat Bottom	0.062	0.03	29	30	3302xxS302	2	2.9 (12VDC), 3.8 (24VDC)	4.1
1/4-28 UNF Flat Bottom	0.062	0.03	29	30	3302xxS303	3	2.9 (12VDC), 3.8 (24VDC)	6.5
1/4-28 UNF Flat Bottom	0.062	0.03	29	30	3302xxS304	4	2.9 (12VDC), 3.8 (24VDC)	9.7

Catalog Number Description and Options



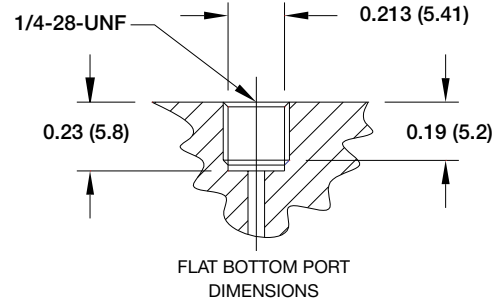
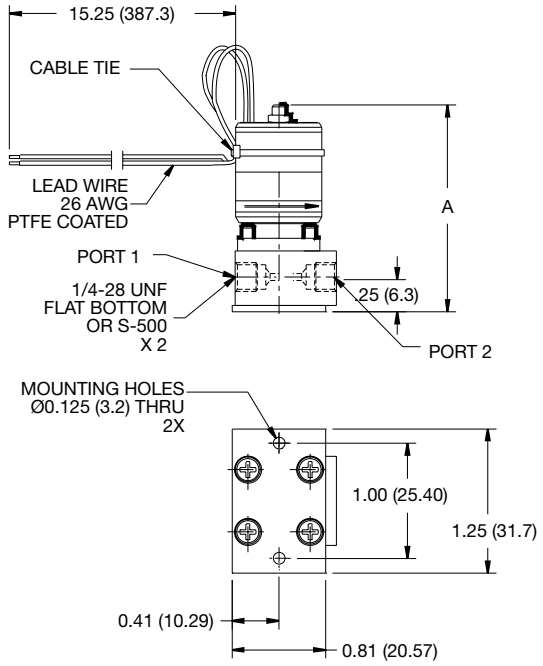
To Construct Catalog Number

- Select catalog number from table
- Insert voltage into the 5th and 6th digits denoted by "xx"

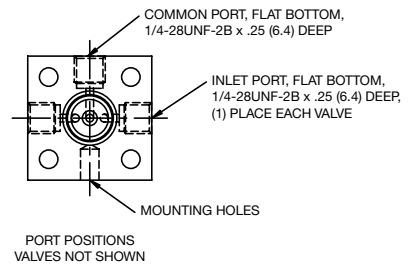
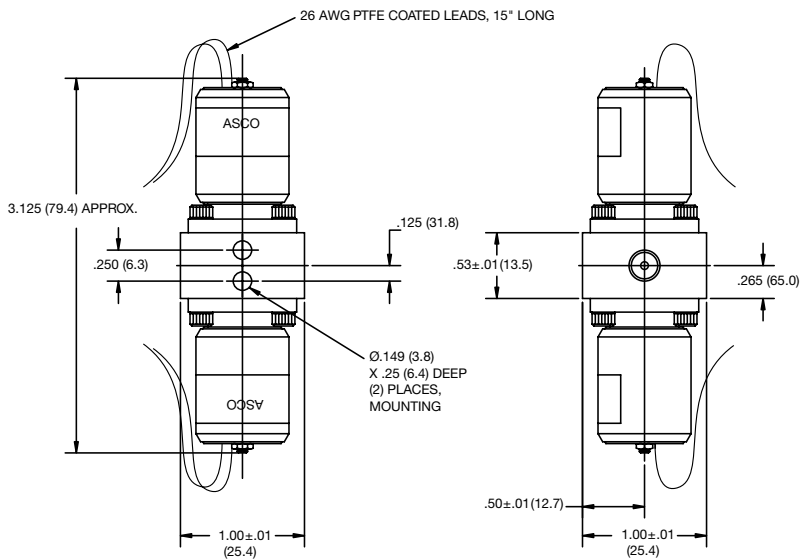
Examples

- 190212S30 = 2-Way normally closed valve with 1/4 - 28 UNF, flat bottom ports and 12 VDC coil rated at 2.9 Watts
- 330224S303 = 3, 2-Way normally closed valves mounted on a manifold with 1/4 - 28 UNF, flat bottom ports and 24 vdc coil rated at 3.8 Watts

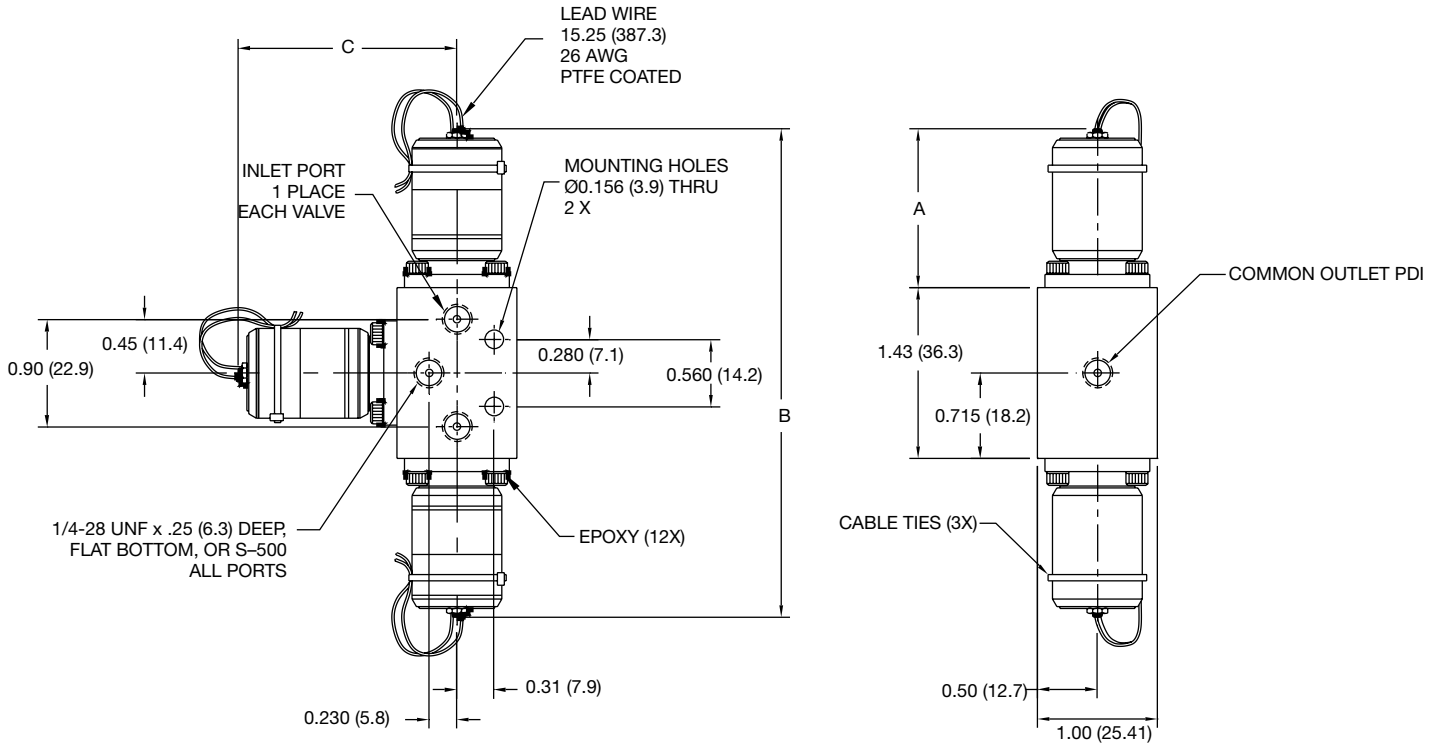
Dimensions 190 Series: Inches (mm)



Dimensions 330 Series 2 Position Valve Manifold: Inches (mm)



Dimensions 330 Series 3 Position Valve Manifold: Inches (mm)



Dimensions 330 Series 2 Position Valve Manifold: Inches (mm)

