

The 284 Series are 2-Way, normally closed and normally open, solenoid operated pinch valves designed to control the flow of corrosive or high purity fluids in medical equipment, analytical instruments, and industrial applications. Pinch valves control fluid flow by locating soft tubing in a mechanism that “pinches” the tubing to block flow and releases to allow flow.

- Large open gap for high flow and handling of particulate media.
- Zero dead volume prevents cross-contamination.
- Electrical connections can be kept separate from fluid area via built-in panel mount bracket.
- Built-in manual operator for easy tubing change out and testing.
- Removable/Rotatable coil for easy service and installation.



Construction

Valve Wetted Parts	
Recommended Tubing	VQM, Max. Hardness 50 Shore A Tubing sold separately. See Pinch Valve Tube Section

Electrical

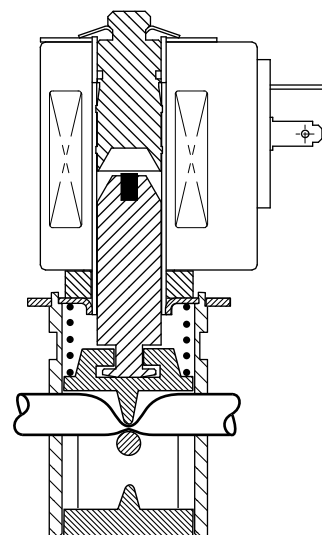
Standard Voltages	12VDC, 24 VDC
Coil Insulation	311°F (155°C)
Power Consumption	4, 9, 13 Watts
Duty Cycle Rating	Continuous
Electrical Connection	DIN SPADE TERMINALS
Din Connectors (Not included with valve, see DIN ELECTRICAL CONNECTORS)	
-4 Watt Coil	Size 9.4 mm, DIN 43650 Form C
-9 Watt Coil	Size 18 mm, ISO 4400/EN 175301-803 Form A
-13 Watt Coil	Size 18 mm, ISO 4400/EN 175301-803 Form A

Valve

Response Time	~20 ms
---------------	--------

2NO

2NC



Temperature Range:

Ambient:
14°F to 140°F (-10°C to 60°C)

Approvals:

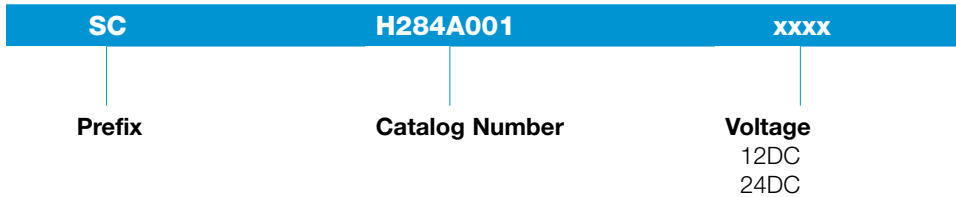
Meets applicable CE directives.



Specifications

Tubing ID (in)	Tubing OD (in)	Operating Pressure (psi)		Prefix	Catalog Number	Const. Ref.	Power (Watts)	Weight (oz)
		Min.	Max					
2/2NC - Normally Closed								
0.030	0.065	0	12	SC	H284A001xxxx	1	4	2.1
0.040	0.085	0	12	SC	H284A002xxxx	1	4	2.1
0.062	0.125	0	12	SC	H284A003xxxx	1	4	2.1
0.078	0.125	0	12	SC	H284A004xxxx	1	4	2.1
0.106	0.193	0	12	SC	H284A005xxxx	2	9	9.9
0.189	0.311	0	12	SC	H284B006xxxx	3	13	16.6
0.252	0.374	0	12	SC	H284B007xxxx	3	13	16.6
2/2NO - Normally Open								
0.030	0.065	0	12	SC	H284A009xxxx	4	4	2.1
0.040	0.085	0	12	SC	H284A010xxxx	4	4	2.1
0.062	0.125	0	12	SC	H284A011xxxx	4	4	2.1
0.078	0.125	0	12	SC	H284A012xxxx	4	4	2.1
0.106	0.193	0	12	SC	H284A013xxxx	5	9	10.2
0.189	0.311	0	12	SC	H284B014xxxx	6	13	15.9
0.252	0.374	0	12	SC	H284B015xxxx	6	13	15.9

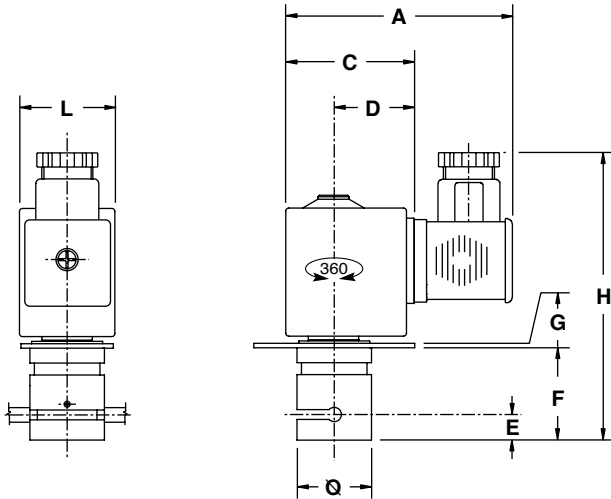
Catalog Number Description and Options



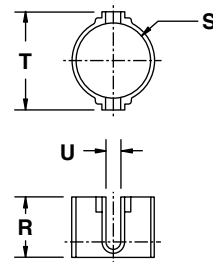
Examples

SCH284A00124DC = Normally closed, 0.030" ID tubing, 24VDC

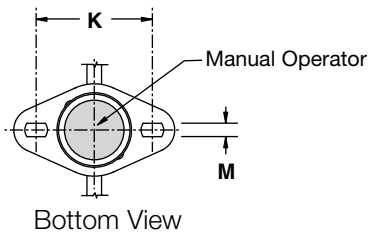
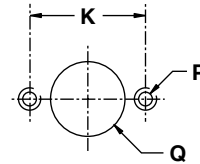
Dimensions: Inches (mm)



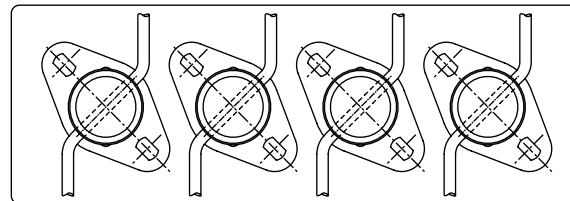
Tube Guiding Device



Arrangement for Wall-Fitting



Example of Banked Assembly



Const. Ref	Catalog Number	Ø	A	C	D	E	F	G	H	K	L	M	P	Q	R	S	T	U
01	SCH248A001/002/003/004	0.63 (16)	1.95 (49.5)	0.92 (23.5)	0.59 (23.5)	0.43 (11)	0.79 (20)	0.04 (1)	2.60 (66)	0.94 (24)	0.87 (17)	0.13 (3.3)	M3	0.65 (16.5)	0.42 (10.7)	0.63 (16)	0.94 (24)	0.09 (2.2)
02	SCH248A005	0.98 (25)	3.07 (78)	1.68 (43)	1.06 (27)	0.69 (17.5)	1.26 (32)	0.06 (1.5)	3.90 (99)	1.53 (39)	1.26 (32)	0.18 (4.5)	M4	1.00 (25.5)	0.55 (14)	0.98 (25)	1.30 (33)	0.12 (3.2)
03	SCH248B006/B007	1.18 (30)	3.31 (84)	1.98 (49)	1.10 (28)	0.97 (24.5)	1.71 (43.5)	0.06 (1.5)	3.90 (99)	1.79 (46.5)	1.65 (42)	0.18 (4.5)	M4	1.20 (30.5)	0.94 (24)	1.18 (30)	1.53 (39)	0.24 (6)
04	SCH284A009/010/011/012	0.63 (16)	1.95 (49.5)	0.92 (23.5)	0.59 (15)	0.24 (6)	0.79 (20)	0.04 (1)	2.60 (66)	0.94 (24)	0.67 (17)	0.13 (3.3)	M3	0.65 (16.5)	0.42 (10.7)	0.63 (16)	0.94 (24)	0.09 (2.2)
05	SCH284A013	0.98 (25)	3.07 (78)	1.69 (43)	1.06 (27)	0.41 (10.5)	1.26 (32)	0.06 (1.5)	3.90 (99)	1.53 (39)	1.26 (32)	0.18 (4.5)	M4	1.00 (25.5)	0.55 (14)	0.98 (25)	1.30 (33)	0.12 (3.2)
06	SCH284B014/B015	1.18 (30)	3.31 (84)	1.93 (49)	1.10 (28)	0.51 (13)	1.71 (43.5)	0.06 (1.5)	3.90 (99)	1.79 (45.5)	1.65 (42)	0.18 (4.5)	M4	1.20 (30.5)	0.94 (24)	1.18 (30)	1.53 (39)	0.24 (6)