

The 385 Series is a 16mm wide, pad mount, rocker isolation valve designed to control the flow of aggressive chemicals or high purity fluids. The Series 385 offers the following benefits:

- Compact manifold design saves space and reduces assembly time.
- Prevents contamination of fluid sample, due to excellent flushing characteristics.
- Create separation between the solenoid and fluid.
- Available with inert materials of construction, such as PEEK and FFKM to handle aggressive chemicals or high purity media.



Construction

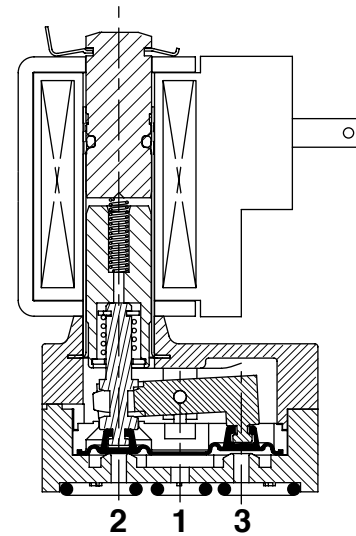
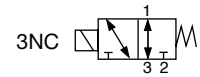
Valve Wetted Parts	
Body	PEEK
Diaphragm	FFKM, EPDM, FKM

Electrical

Standard Voltages	12 VDC, 24 VDC
Power Consumption	4 Watts
Duty Cycle Rating	Continuous
Coil Insulation	311°F (155°C)
Electrical Connection	DIN SPADE TERMINALS
DIN Connectors	Size 15mm, DIN 43650 Form C

Valve

Response Time	~20 ms
Internal Volume	< 67µl
Vacuum Rating	FFKM: 20" Hg at any port EPDM or FKM: Consult ASCO for use with vacuum
Maximum Viscosity of Fluid	37 cST (mm ² /s)



Temperature Range:

Ambient:

14°F to 140°F (-10°C to 60°C)

Media:

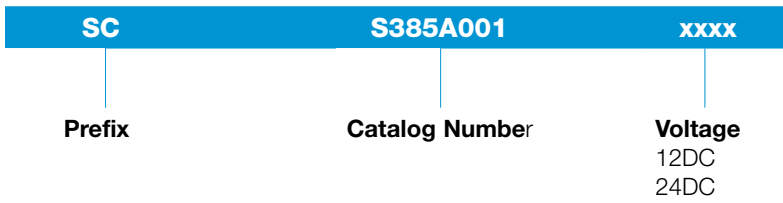
14°F to 212°F (-10°C to 100°C)

Approvals:

Meets Applicable CE directives

Specifications

Port Type	Orifice Size (in)	Cv Flow Factor	Operating Pressure (psi)		Diaphragm Material	Prefix	Catalog Number	Const. Ref.	Power (Watts)	Weight (oz)
			Min.	Max.						
3/2 NC - Normally Closed										
Pad Mount	0.06	0.035	0	35	FFKM	SC	S385A001xxxx	1	4	1.4
					EPDM	SC	S385A001Exxxx			
					FKM	SC	S385A001Vxxxx			

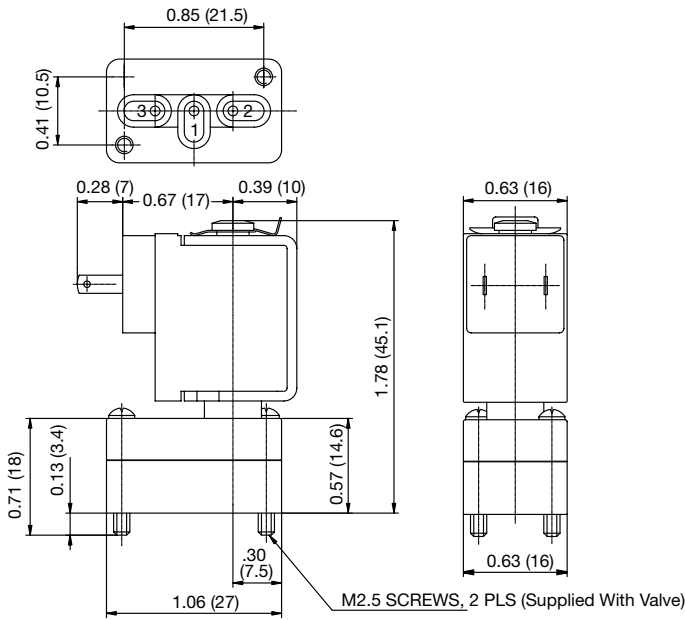


Examples

SCS385A00112DC = 3-Way normally closed, .06" orifice, FFKM Seals, 12VDC
 SCS385A001E24DC = 3-Way normally closed, .06" orifice, EPDM Seals, 24VDC

Dimensions: Inches (mm)

Const. Ref 1



Manifold Machining

