

Rocker Isolation Valves

In-Line or Barb Porting



ASCO's patented 458 Series rocker isolation valves feature a unique rocker diaphragm mechanism that shields the internal components of the solenoid from the fluid. The design forms an easy to flush, low volume internal cavity.

- Suitable for corrosive media that can attack valves designed for general service duty.
- Prevents contamination of fluid sample, due to excellent flushing characteristics.
- Rocker design significantly reduces erratic flow caused by pumping action in poppet style valves.
- Standard built-in manual operator for testing or troubleshooting.

Construction

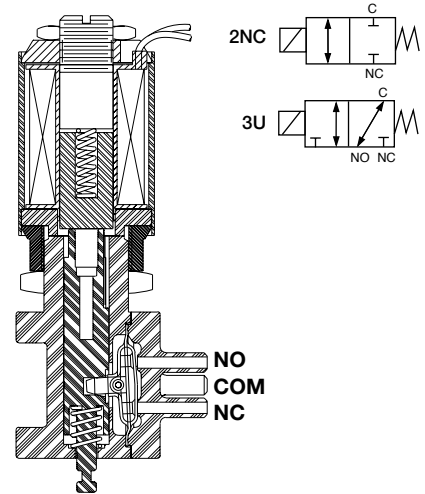
Valve Wetted Parts	
Flange	PSU, PEEK
Diaphragm	EPDM

Electrical

Standard Voltages	12 VDC, 24 VDC
Power Consumption	2.5 Watts
Duty Cycle Rating	Continuous
Coil Insulation	266°F (130°C)
Electrical Connection	26 AWG Hard Wire

Valve

Response Time	~20 ms
Internal Volume -2-Way -3-Way	51 µL 62 7µL
Options	<ul style="list-style-type: none"> • Surface or panel mount • Barbed bib ports for 0.062" ID to 0.082" soft tubing • Threaded-flat bottom ports available with #1/4-28 UNF, #10-32 UNF



Temperature Range:

Ambient & Media:
32°F to 114°F (0°C to 45°C)

Approvals:

Meets applicable CE directives.

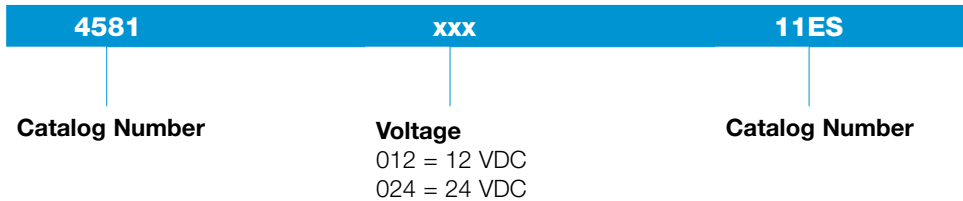


Specifications

Port Type	Orifice Size (in)	Cv Flow Factor ⁽¹⁾	Flange Material	Mount Type	Operating Pressure (psi)		Catalog Number	Power (Watts)	Weight (oz)
					Min.	Max.			
2/2NC - Normally Closed									
Hose Barb	0.062	0.04	PSU	Surface	0	35	4581xxx11ES	2.5	2
Hose Barb	0.062	0.04	PSU	Panel	0	35	4581xxx11EP	2.5	2
#10-32 UNF	0.062	0.04	PEEK	Surface	0	35	4581xxx22ES	2.5	2
#10-32 UNF	0.062	0.04	PEEK	Panel	0	35	4581xxx22EP	2.5	2
1/4-28 UNF	0.062	0.04	PEEK	Surface	0	35	4581xxx32ES	2.5	2
1/4-28 UNF	0.062	0.04	PEEK	Panel	0	35	4581xxx32EP	2.5	2
3/2U - Universal Operation									
Hose Barb	0.062	0.04	PSU	Surface	0	35	4583xxx11ES	2.5	2
Hose Barb	0.062	0.04	PSU	Panel	0	35	4583xxx11EP	2.5	2
#10-32 UNF	0.062	0.04	PEEK	Surface	0	35	4583xxx22ES	2.5	2
#10-32 UNF	0.062	0.04	PEEK	Panel	0	35	4583xxx22EP	2.5	2
1/4-28 UNF	0.062	0.04	PEEK	Surface	0	35	4583xxx32ES	2.5	2
1/4-28 UNF	0.062	0.04	PEEK	Panel	0	35	4583xxx32EP	2.5	2

(1) CV Flow Factors are nominal

Catalog Number Description and Options



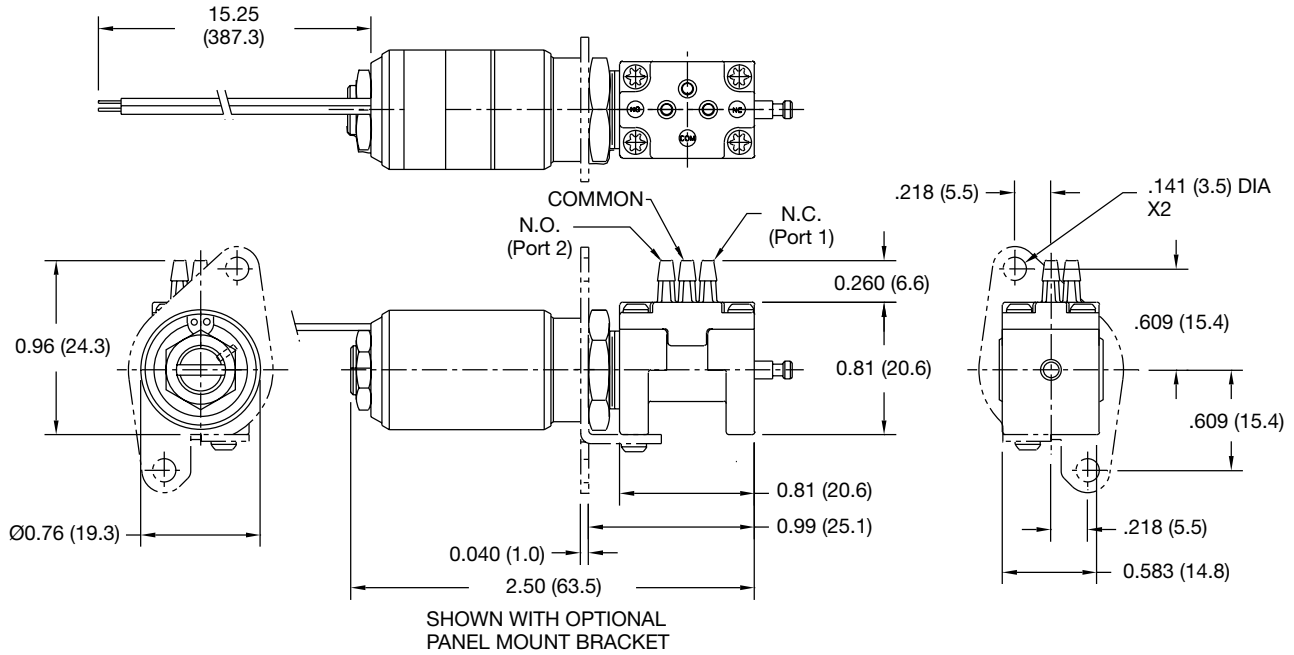
To Construct Catalog Number

- Select catalog number from table
- Insert voltage into the 5th, 6th, and 7th digits denoted by "xxx"

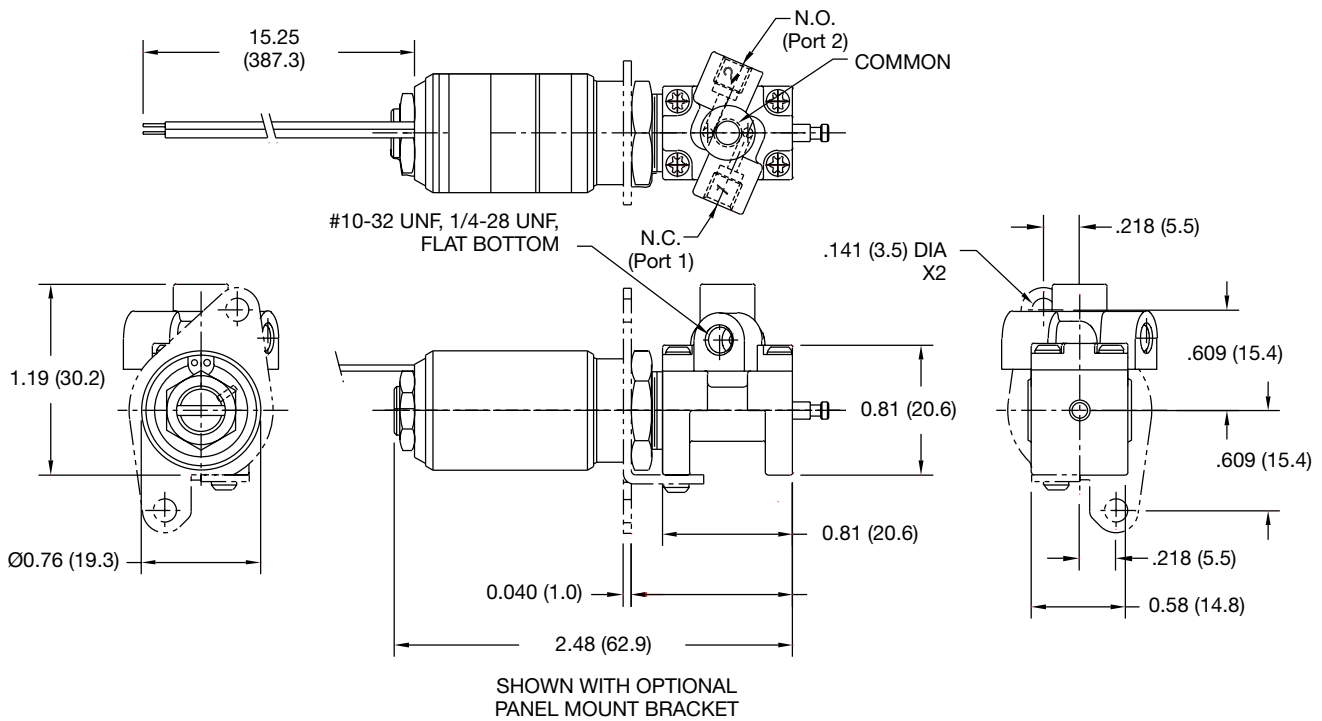
Examples

458102411ES = 2-Way normally closed valve with bib ports, PSU flange, surface mounting, 24 VDC coil

Dimensions 458 Series with Hose Barb Flange: Inches (mm)



Dimensions 458 Series with In-Line Flange: Inches (mm)



Notes

- 3-Way versions shown, 2-Way versions are the same except they do not include the common port.
- Bracket for optional panel mount shown in dashed lines