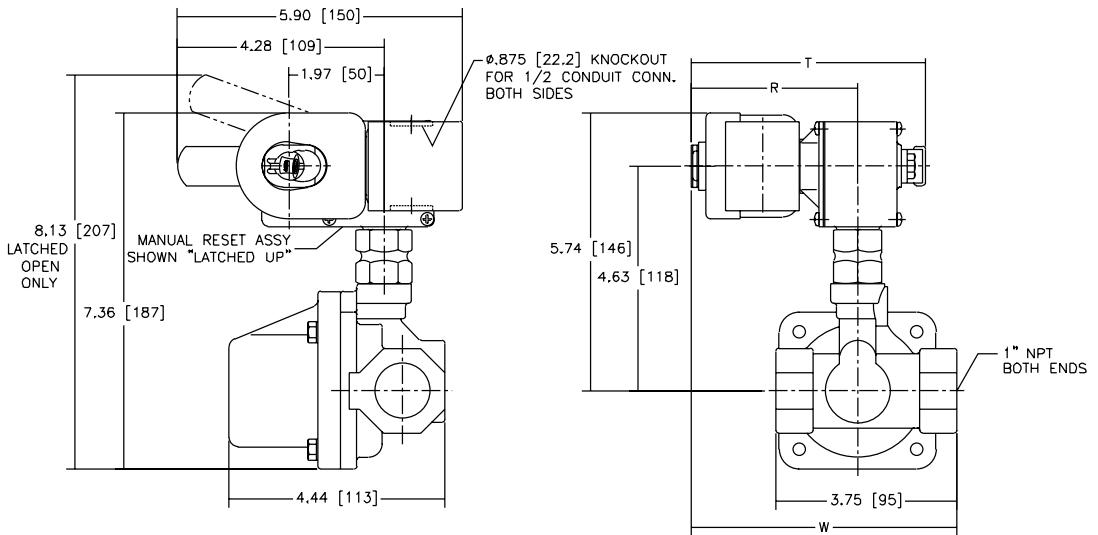
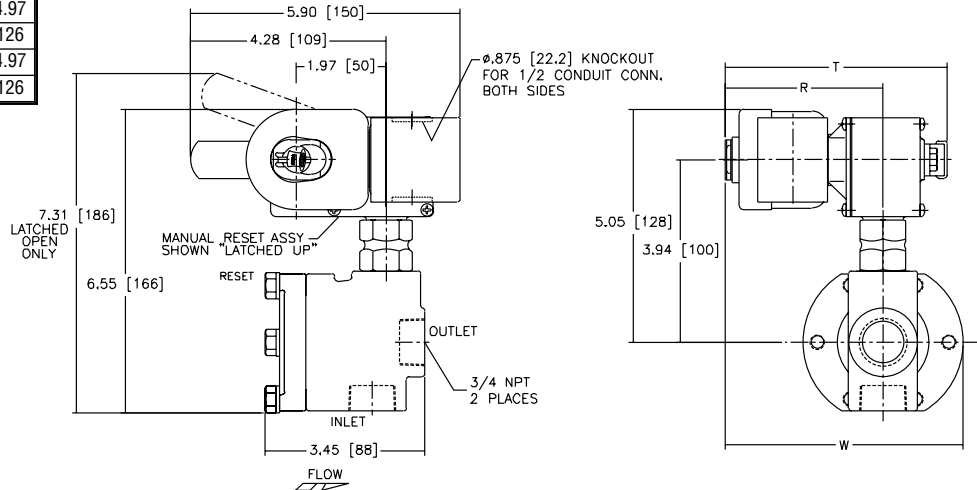


Dimensions: inches (mm)

Catalog Number		R	T	W
8025B213	ins.	3.44	4.84	5.48
	mm	87	123	139
8025B226	ins.	3.44	4.84	5.48
	mm	87	123	139
8015B213	ins.	3.22	4.62	5.27
	mm	82	117	134
8015B226	ins.	3.22	4.62	5.27
	mm	82	117	134



Catalog Number		R	T	W
8025B212	ins.	3.44	4.84	5.19
	mm	87	123	132
8025B225	ins.	3.44	4.84	5.19
	mm	87	123	132
8015B212	ins.	3.22	4.62	4.97
	mm	82	117	126
8015B225	ins.	3.22	4.62	4.97
	mm	82	117	126



SPECIAL SERVICE
PILOT