



**Specifications (English units)**

Pipe Size (ins.)	Orifice Size (ins.)	Cv Flow Factor	Gas Capacity ① Btu/hr.	Operating Pressure Differential (psi)		Max. Fluid Temp. °F	Catalog Number	Const. Ref.	Agency			Wattage	Approx. Shipping Weight (lbs)
				Min.	Max.				UL	FM	CSA		
<b>COMBUSTION (Fuel Gas) - NORMALLY CLOSED</b>													
3/8	3/4	3.9	210,000	0	2	125	8040G021	1	○	○	○	10.1	2.8
1/2	3/4	5.4	291,000	0	2	125	8040G022	1	○	○	○	10.1	2.8
3/4	3/4	9.5	512,000	0	2	125	8040G023	2	○	○	○	10.1	2.8
1	1 5/8	16.8	900,000	0	0.5	125	8040C004	3	○	-	○	15.4	4.3
1 1/4	1 5/8	19.6	1,100,000	0	0.5	125	8040C005	3	○	-	○	15.4	4.3

○ = Safety Shutoff Valve. ① 1" W.C. Drop @ 2" W.C. Inlet Pressure, 1,000 Btu/cu.ft. or more, 0.64 Specific Gravity Gas.

**Specifications (Metric units)**

Pipe Size (ins.)	Orifice Size (mm)	Kv Flow (m³/hr)	Gas Capacity ① Btu/hr.	Operating Pressure Differential (bar)		Max. Fluid Temp. °C	Catalog Number	Const. Ref.	Agency			Wattage	Approx. Shipping Weight (kgs)
				Min.	Max.				UL	FM	CSA		
<b>COMBUSTION (Fuel Gas) - NORMALLY CLOSED</b>													
3/8	19	3.3	210,000	0	0.1	52	8040G021	1	○	○	○	10.1	1.3
1/2	19	4.6	291,000	0	0.1	52	8040G022	1	○	○	○	10.1	1.3
3/4	19	8.1	512,000	0	0.1	52	8040G023	2	○	○	○	10.1	1.3
1	41	14.3	900,000	0	0.03	52	8040C004	3	○	-	○	15.4	2.0
1 1/4	41	16.7	1,100,000	0	0.03	52	8040C005	3	○	-	○	15.4	2.0

○ = Safety Shutoff Valve. ① 1" W.C. Drop @ 2" W.C. Inlet Pressure, 1,000 Btu/cu.ft. or more, 0.64 Specific Gravity Gas.

**Capabilities Chart**

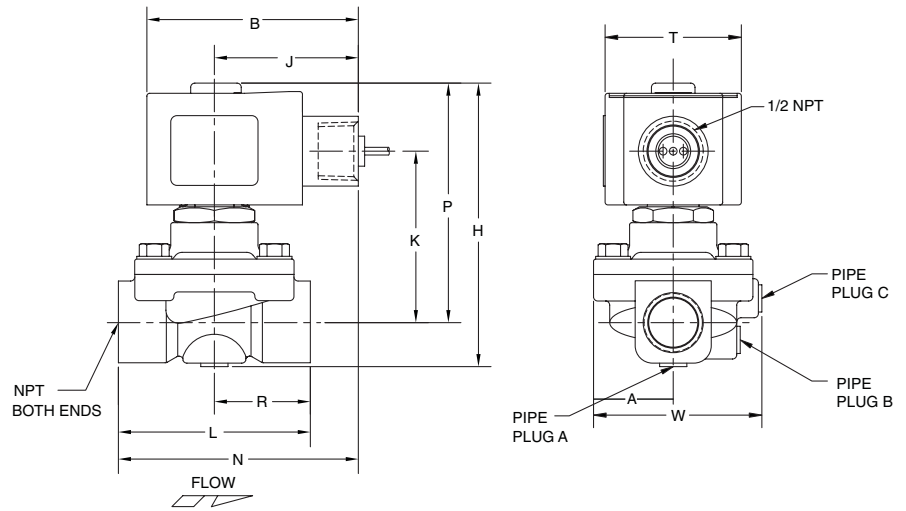
Solenoid Options				Base Catalog Number	Resilient Materials	Standard Rebuild Kit
NEMA Type 3-9	High Temp.	Junction Box	Wiring Box Screw Terminal	Aluminum	NBR	AC
EF	HT	-	JKF	8040G021	●	306633
EF	HT	JB	JKF	8040G022	●	306633
EF	HT	JB	JKF	8040G023	●	306633
-	HT	JB	JKF	8040C004	●	304079
-	HT	JB	JKF	8040C005	●	304079

● = Standard. Other options may be available. All option combinations may not be available.

## Dimensions inches (mm)

Const. Ref.		1	2	3
A	ins.	1.66	1.66	2.69
	mm	42	42	68
B	ins.	3.03	3.03	2.69
	mm	77	77	68
H	ins.	4.05	4.49	6.81
	mm	103	11405	173
J	ins.	2.04	2.04	1.59
	mm	52	52	40
K	ins.	2.46	2.65	4.09
	mm	62	67	104
L	ins.	2.75	3.31	5.00
	mm	70	84	127
N	ins.	3.42	3.70	-
	mm	87	94	-
R	ins.	1.38	1.66	2.38
	mm	35	42	60
P	ins.	3.44	3.63	5.50
	mm	87	92	140
T	ins.	1.95	1.95	2.22
	mm	50	50	56
W	ins.	2.42	2.39	5.38
	mm	61	61	137
Pipe Plug		B & C	A & C	-

Const. Ref. 1, 2



Const. Ref. 3

