

Specifications (English units)

Pipe Size (ins.)	Orifice Size (ins.)	Cv Flow Factor	Gas Capacity ①	Operating Pressure Differential (psi)		Max. Fluid Temp. °F	Catalog Number	Const. Ref.	Agency			Wattage
			Btu/hr.	Min.	Max.				UL	FM	CSA	
COMBUSTION (Fuel Gas) - NORMALLY CLOSED												
3/4	1 5/8	12.2	650,000	0	20	104	8042D035	1	○	○	○	59.5
1	1 5/8	24	1,290,000	0	20	104	8042C045	2	○	-	○	59.5
1 1/4	1 5/8	35	1,900,000	0	20	104	8042C055	2	○	-	○	59.5
1 1/2	1 5/8	40	2,145,000	0	20	104	8042C065	2	○	-	○	59.5
2	2 3/32	60	3,241,000	0	20	104	8042C075	3	○	-	○	59.5
2 1/2	3	120	6,467,500	0	5	104	8042C085	4	○	-	○	66.0
3	3	130	7,002,500	0	5	104	8042C095	4	○	-	○	66.0

○ = Safety Shutoff Valve. ① 1" W.C. Drop @ 2" W.C. Inlet Pressure, 1,000 Btu/cu.ft. or more, 0.64 Specific Gravity Gas.

Specifications (Metric units)

Pipe Size (ins.)	Orifice Size (mm)	Kv Flow (m³/hr)	Gas Capacity ①	Operating Pressure Differential (bar)		Max. Fluid Temp. °C	Catalog Number	Const. Ref.	Agency			Wattage
			Btu/hr.	Min.	Max.				UL	FM	CSA	
COMBUSTION (Fuel Gas) - NORMALLY CLOSED												
3/4	41	10.4	650,000	0	1.4	40	8042D035	1	○	○	○	59.5
1	41	20.4	1,290,000	0	1.4	40	8042C045	2	○	-	○	59.5
1 1/4	41	29.8	1,900,000	0	1.4	40	8042C055	2	○	-	○	59.5
1 1/2	41	34.0	2,145,000	0	1.4	40	8042C065	2	○	-	○	59.5
2	53	51.0	3,241,000	0	1.4	40	8042C075	3	○	-	○	59.5
2 1/2	76	102.0	6,467,500	0	0.3	40	8042C085	4	○	-	○	66.0
3	76	110.5	7,002,500	0	0.3	40	8042C095	4	○	-	○	66.0

○ = Safety Shutoff Valve. ① 1" W.C. Drop @ 2" W.C. Inlet Pressure, 1,000 Btu/cu.ft. or more, 0.64 Specific Gravity Gas.

Capabilities Chart

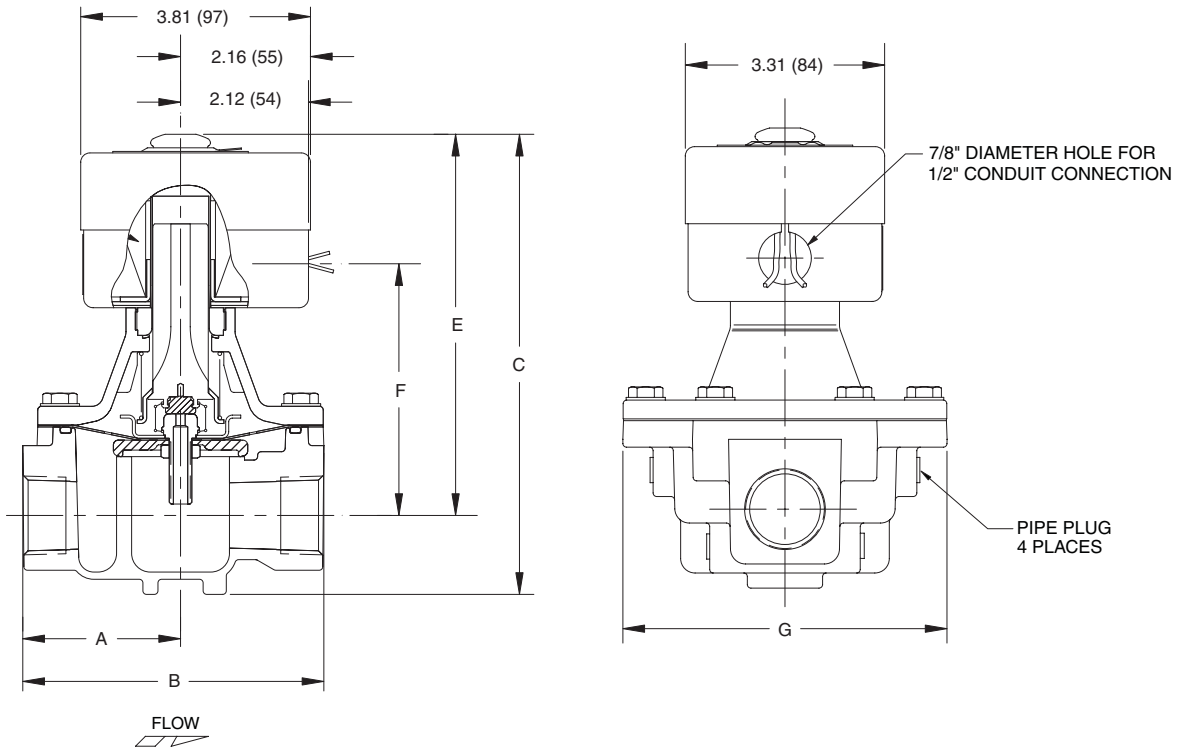
Solenoid Options		Resilient Materials		Base Catalog Number	Standard Rebuild Kit
Rainproof	Junction Box	NBR		Aluminum	AC
R	JB	●		8042D035	304081
R	JB	●		8042C045	304081
R	JB	●		8042C055	304081
R	JB	●		8042C065	304081
R	JB	●		8042C075	304082
R	JB	●		8042C085	304083
R	JB	●		8042C095	304083

● = Standard. Other options may be available. All option combinations may not be available.

COMBUSTION

Dimensions inches (mm)

Const. Ref.		A	B	C	E	F	G
1	ins.	2.62	5.00	7.66	6.34	4.19	5.38
	mm	67	127	195	161	106	137
2	ins.	2.62	5.00	7.66	6.39	4.25	5.38
	mm	67	127	195	162	108	137
3	ins.	3.28	6.09	8.36	6.86	4.72	6.32
	mm	83	155	212	174	120	161
4	ins.	3.89	7.80	10.22	7.89	5.75	7.99
	mm	99	198	260	200	146	203



Must be mounted with solenoid vertical and upright.

