



The 8261 Series is a 2-way direct acting valve available in Normally Closed and Normally Open constructions. They are available either AC or DC operated with brass bodies. They come standard with DIN connection coils. Options are limited to flying leads and some alternate elastomers. Dedicated constructions of the 8261 Series are suitable for the following applications:

- General Service (air, inert gas, water, and light oil)

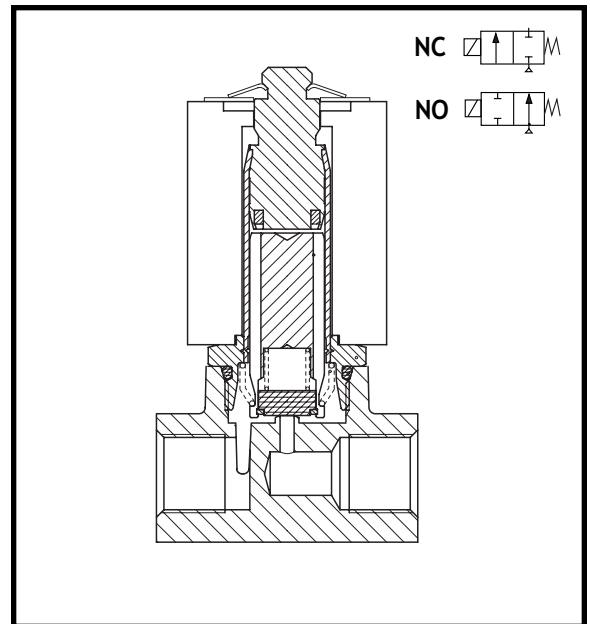
### Construction

Valve Parts in Contact with Fluids	
General Service	
Body	Brass
Seals and Discs	NBR, FKM, or EPDM (as listed)
Core Tube	Brass or Stainless Steel
Core and Plugnut	Stainless Steel
Springs	Stainless Steel
Shading Coil	Copper

### Electrical

Standard Coil Class of Insulation	Watt Rating and Power Consumption				Ambient Temp. °F	DIN Spare Coil Family	DIN Connection Size
	DC Watts	AC					
		Watts	VA Holding	VA Inrush		AC/DC	
F	6.0	6.0	10	16	15 to 140	Z614A	11 mm
F	9.2	9.2	14	23	15 to 140	ZA34A	18 mm
F	13.0	13.0	24	44	15 to 140	Z134A	18 mm

**Standard Voltages:** 24, 120, 240 volts AC, 60 Hz (or 110, 230 volts AC, 50 Hz). 12, 24 volts DC. Must be specified when ordering.



### Approvals

UL recognized coil  
 Meets applicable CE directives



Specifications

Pipe Size (ins.)	Orifice Dia. (ins.)	Cv Flow	Operating Pressure Differential (psi)							Max. Fluid Temp. °F	Brass	Const. Ref.	UL ①	Wattage		Approx. Shipping Weight (lbs.)
			Min.	Max. AC			Max. DC							AC	DC	
				Air-Inert Gas	Water	Light Oil	Air-Inert Gas	Water	Light Oil							
<b>General Service - Normally Closed</b>																
1/8	1/16	0.11	0	435	435	435	435	435	250	SC8261S401V	1	<input type="checkbox"/>	9.2	9.2	1.3	
1/8	3/32	0.18	0	290	230	230	290	230	230	250	SC8261S403V	1	<input type="checkbox"/>	9.2	9.2	1.3
1/8	1/8	0.29	0	100	90	90	20	17	17	195	SC8261S404	3	<input type="checkbox"/>	6	6	1.3
1/4	1/16	0.11	0	435	435	435	435	435	435	195	SC8261S405	4	<input type="checkbox"/>	9.2	9.2	1.3
1/4	3/32	0.18	0	290	290	290	230	230	230	195	SC8261S406	4	<input type="checkbox"/>	9.2	9.2	1.3
1/4	1/8	0.29	0	100	100	100	50	50	50	195	SC8261S407	5	<input type="checkbox"/>	6	6	1.3
1/4	1/8	0.35	0	175	175	175	60	60	60	195	SC8261S408	4	<input type="checkbox"/>	9.2	9.2	1.3
1/4	11/64	0.47	0	36	36	36	15	15	15	195	SC8261S409	5	<input type="checkbox"/>	6	6	1.3
1/4	11/64	0.59	0	120	120	120	60	60	60	195	SC8261S410	6	<input type="checkbox"/>	13	13	1.8
1/4	15/64	0.76	0	15	15	15	5	5	5	195	SC8261S411	5	<input type="checkbox"/>	6	6	1.3
1/4	15/64	0.82	0	50	50	50	36	36	36	195	SC8261S412	6	<input type="checkbox"/>	13	13	1.8
1/4	15/16	0.93	0	145	145	145	145	145	145	195	SC8261S413	7	<input type="checkbox"/>	9.2	9.2	2.0
<b>General Service - Normally Open</b>																
1/4	1/8	0.35	0	70	70	70	70	70	70	195	SC8261S417V	10	<input type="checkbox"/>	9.2	9.2	2.0
1/4	1/8	0.35	0	175	145	145	175	145	145	260	SC8261S418V	11	<input type="checkbox"/>	13	13	2.0
<b>Nickel Coated Model - Normally Open</b>																
1/4	1/8	0.35	0	60	60	60	60	60	60	195	SC8261T420V	11	<input type="checkbox"/>	9.2	9.2	2.0

= UL recognized coil. ① With SU or SC prefix only.

Capabilities Chart

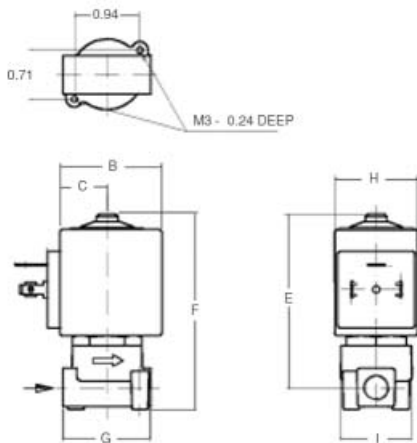
Solenoid Options							Base Catalog Number	Resilient Materials								Other	Standard Rebuild Kit		
NEMA Type 3-9	High Temp. (DIN Only)	Wiring Box Screw Terminal	Multipin	DIN	Spade	Open Frame with Leads ①	Brass	NBR	FKM	EPDM	Neoprene	Oxygen Service	PTFE	Urethane	Vacuum	Manual Operator	Mounting Bracket	Brass AC	Brass DC
-	SU	-	-	●	-	OF	SC8261S401V	-	●	-	-	-	-	-	-	-	-	322992	322992
-	SU	-	-	●	-	OF	SC8261S403V	-	●	-	-	-	-	-	-	-	-	322995	322995
-	SU	-	-	●	-	OF	SC8261S404	●	V	-	-	-	-	-	-	-	-	322996	322996
-	SU	-	-	●	-	OF	SC8261S405	●	V	-	-	-	-	-	-	-	-	322998	322998
-	SU	-	-	●	-	OF	SC8261S406	●	V	-	-	-	-	-	-	-	-	323000	323000
-	SU	-	-	●	-	OF	SC8261S407	●	V	-	-	-	-	-	-	-	-	323002	323003
-	SU	-	-	●	-	OF	SC8261S408	●	V	-	-	-	-	-	-	-	-	323006	323006
-	SU	-	-	●	-	OF	SC8261S409	●	V	-	-	-	-	-	-	-	-	323008	323009
-	SU	-	-	●	-	OF	SC8261S410	●	V	-	-	-	-	-	-	-	-	323012	323012
-	SU	-	-	●	-	OF	SC8261S411	●	V	-	-	-	-	-	-	-	-	323014	323015
-	SU	-	-	●	-	OF	SC8261S412	●	V	-	-	-	-	-	-	-	-	323018	323018
-	SU	-	-	●	-	-	SC8261S413	●	V	-	-	-	-	-	-	-	-	323201	323201
-	SU	-	-	●	-	OF	SC8261S417V	-	●	-	-	-	-	-	-	-	-	323021	323021
-	SU	-	-	●	-	OF	SC8261S418V	-	●	-	-	-	-	-	-	-	-	323022	323022
-	SU	-	-	●	-	OF	SC8261T420V	-	●	-	-	-	-	-	-	-	-	323184	323184

● = Standard. ① Drop the SC when applying the OF prefix.

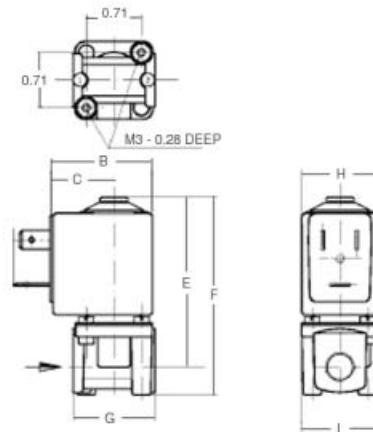
Dimensions: inches

Const. Ref.	A	B	C	D	E	F	G	H	I
1	-	1.64	0.85	-	2.5	2.81	1.26	1.18	1.02
3	-	1.32	0.83	-	2.17	2.52	1.06	0.98	0.98
4	-	1.64	0.85	-	2.57	3	1.65	1.18	1.26
5	-	1.32	0.83	-	2.17	2.56	1.69	0.98	0.98
6	-	1.93	1.1	-	2.66	3.15	1.57	1.65	1.28
7	-	1.69	1.06	-	2.69	3.18	1.57	1.26	1.28
10	-	1.93	1.1	-	2.74	3.18	1.65	1.65	1.26
11	-	1.69	1.06	-	2.93	3.35	1.65	1.26	1.26

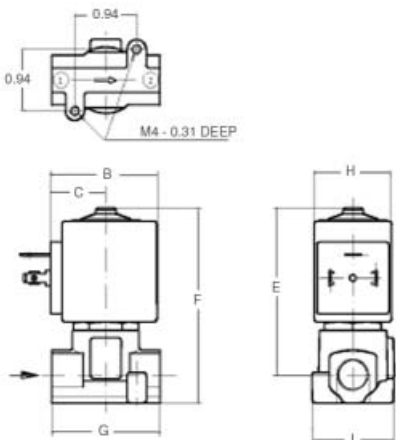
Const. Ref. 1



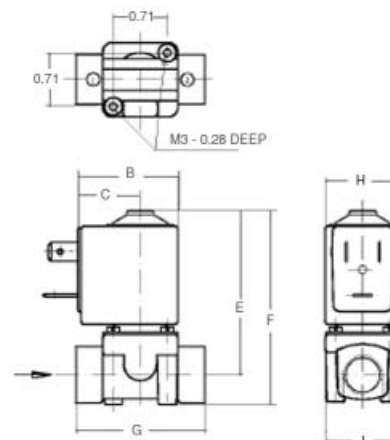
Const. Ref. 3, 7



Const. Ref. 4

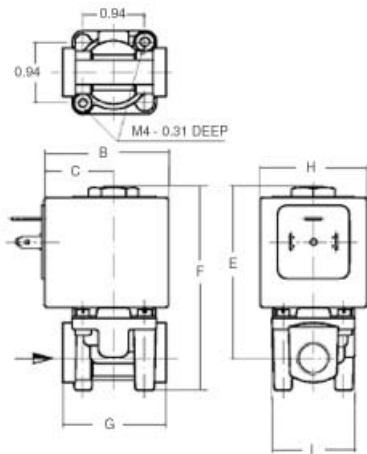


Const. Ref. 5

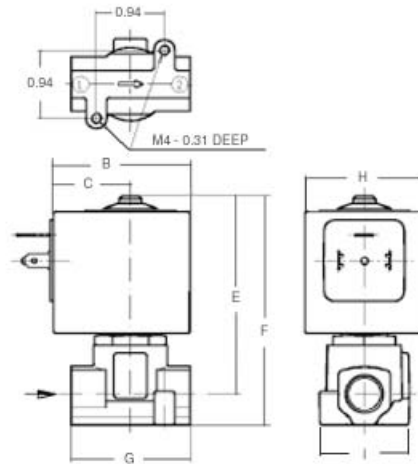


Dimensions: inches

Const. Ref. 6



Const. Ref. 10



Const. Ref. 11

