

The 8374 Series is a 3-way direct acting valve available in Normally Closed, Normally Open, and Universal constructions. They are available either AC or DC operated with brass bodies. They come standard with DIN connection coils. Options are limited to flying leads, manual operators, and some alternate elastomers. Dedicated constructions of the 8374 Series are suitable for the following applications:

- General Service (air, inert gas, water, and light oil)

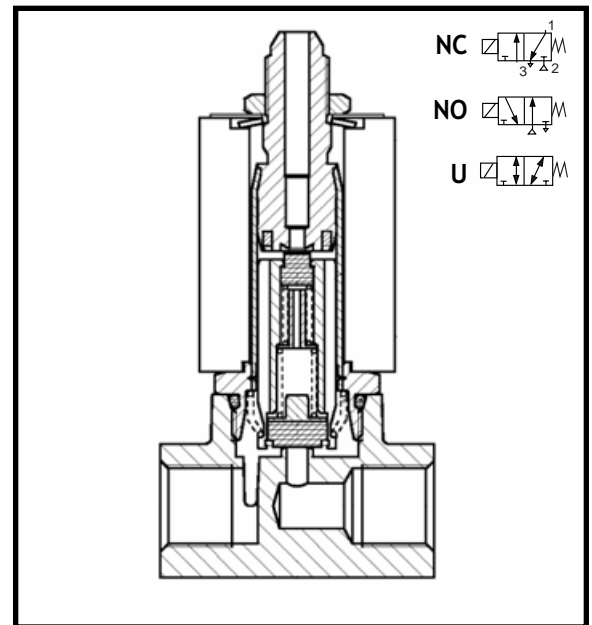
Construction

Valve Parts in Contact with Fluids	
General Service	
Body	Brass
Seals and Discs	as listed
Core Tube	Brass or Stainless Steel
Core and Plugnut	Stainless Steel
Core Springs	Stainless Steel
Shading Coil	Copper
Disc Holder	CA

Electrical

Standard Coil Class of Insulation	Watt Rating and Power Consumption				Ambient Temp. °F	DIN Spare Coil Family
	DC Watts	AC				
		Watts	VA Holding	VA Inrush		
F	9.2	9.2	14	23	15 to 140	ZA34A
F	12.3	-	-	-	15 to 140	ZA34E
F	13.0	13.0	24	44	15 to 140	Z134A

Standard Voltages: 24, 120, 240 volts AC, 60 Hz (or 110, 230 volts AC, 50 Hz). 12, 24 volts DC. Must be specified when ordering.



Approvals

UL recognized coil
 Meets applicable CE directives



Specifications

Pipe Size (ins.)	Orifice Dia. (ins.)	Cv Flow	Min.	Operating Pressure Differential (psi)						Max. Fluid Temp. °F	Brass	Const. Ref.	UL ②	Wattage		Approx. Shipping Weight (lbs.)
				Max. AC			Max. DC							AC	DC	
				Air-Inert Gas	Water	Light Oil	Air-Inert Gas	Water	Light Oil							
General Service - Normally Closed																
1/4 ①	3/32	0.16	0	120	120	120	120	120	120	195	SC8374S402	2	☐	9.2	12.3	1.6
1/4 ①	3/32	0.20	0	145	145	145	145	145	145	195	SC8374S403	3	☐	13	13	2.1
General Service - Normally Open																
1/4 ①	3/32	0.16	0	120	120	120	120	120	120	195	SC8374S406	2	☐	9.2	12.3	1.6
General Service - Universal Operation																
1/4 ①	3/32	0.16	0	70	70	70	70	70	70	195	SC8374S410	2	☐	9.2	12.3	1.6

☐ = UL recognized coil. ① Top port is size 1/8" Male thread; ② With SU or SC prefix only.

Capabilities Chart

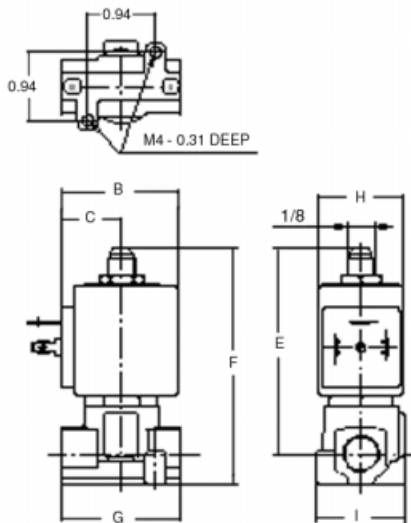
Solenoid Options							Base Catalog Number	Resilient Materials								Other		Standard Rebuild Kit	
NEMA Type 3-9	High Temp.	Wiring Box Screw Terminal	Multipin	DIN	Spade	Open Frame with Leads	Brass	NBR	FKM	EPDM	Neoprene	Oxygen Service	PTFE	Urethane	Vacuum	Manual Operator	Mounting Bracket	Brass AC	Brass DC
-	SU	-	-	●	-	OF	SC8374S402	●	V	-	-	-	-	-	-	-	-	323026	323026
-	SU	-	-	●	-	OF	SC8374S403	●	-	-	-	-	-	-	-	-	-	323028	323028
-	SU	-	-	●	-	OF	SC8374S406	●	-	-	-	-	-	-	-	-	-	323031	323031
-	SU	-	-	●	-	OF	SC8374S410	●	V	-	-	-	-	-	-	-	-	323034	323034

● = Standard

Dimensions: inches

Const. Ref.	A	B	C	D	E	F	G	H	I
2	-	1.63	0.85	-	2.87	3.31	1.65	1.18	1.26
3	-	1.93	1.10	-	3.01	3.50	1.57	1.65	1.28

Const. Ref. 2



Const. Ref. 3

