



Solenoid and Piloted Piston Valve Series Condensate Drain Valve Assemblies

Brass or Stainless Steel Bodies
1/4" to 1" NPT

2/2
SERIES
CDV
Assemblies

Features

- Designed to automatically drain condensate in compressed air systems
- Piloted piston assemblies feature ASCO's 8290 Series with an 8356 Series pilot valve
- Solid state, adjustable timer with LED indicators and Type 4 rating (see *Accessories Section for specs*)
- Brass body, hand turn strainer prevents debris from clogging the valve
- Wide range of voltages with reduced power consumption
- Assemblies can be easily designed using the online configurator (www.ascovalve.com/CDVConfigurator)

Construction

Valve Parts in Contact with Fluids			
Part	Solenoid Drain Valve	Piston Valve Solenoid Pilot	Piston Drain Valve
Body	Brass		316L Stainless Steel
Stem	-	-	316L Stainless Steel ①
Core Tube	Stainless Steel		-
Bonnet	Stainless Steel	Plated Steel	-
Core and Plugnut	Stainless Steel		-
Springs	Stainless Steel		-
Disc	NBR	FKM	316L Stainless Steel ②
Disc Seals	NBR	FKM	PTFE
Shading Coil	Copper		-
Stuffing Box	-	-	316L Stainless Steel
Stuffing Box Seal	-	-	PTFE
Wiper Seal	-	-	FKM
Screw	-	-	316L Stainless Steel ③

① 431 Stainless Steel for 50mm. ② Brass for 50mm. ③ No screw for 50mm.

Electrical

Standard Coil and Class of Insulation	Watt Rating and Power Consumption				Ambient Temp. °F	DIN Spare Coil Family
	DC Watts	AC				
		Watts	VA Holding	VA Inrush		AC/DC
F	6.9	6.3	8.8	12.1	15 to 140	400125
F	9.2	9.2	14	23	15 to 140	ZA34A
F	6	6	10	16	15 to 140	Z614A
F	13	13	24	44	15 to 140	Z134A



SPECIAL SERVICE VALVES

Nominal Ambient Temp. Ranges

14°F to 122°F (-10°C to 50°C)

Refer to Engineering Section for details.

Approvals

Solenoid: UL recognized coil. Meets applicable CE directives.

Timer: CSA certified. UL recognized component. Meets applicable CE directives.

Pilot Valve: UL recognized coil. CSA recognized coil. Meets applicable CE directives.

Power Cord: UL recognized component.

Refer to Engineering Section for details.

Specifications (Assembly) (English units)

Inlet Pipe Size (ins.)	Valve Outlet Pipe Size (ins.)	Valve Orifice Dia. (ins.)	Cv Flow Factor	Condensate Drained (oz/sec.) ①	Operating Pressure Differential (psi)		Pilot Pressure (psi)	Assembly Number ②	Featured Assembly Components	
					Min.	Max.	Air or Water		Range	Electrical Connections
Solenoid Assembly - Normally Closed - With Timer										
1/4 F	1/4 F	1/8	0.35	10	0	175	-	CDVA0JPJW5XCMLL	-	-
								CDVA0JPK1QZBSVN	DIN to 6' cord w/N.A. plug	-
1/2 M	1/4 F	1/8	0.35	10	0	175	-	CDVA0JPL6ND5VR2	-	Manual Shut off / Filter
								CDVA0JPLC7F5104	DIN to 6' cord w/N.A. plug	Manual Shut off / Filter
3/8 F	3/8 F	7/16	1.99	56	5	175	-	CDVA138122AKBA8	-	-
								CDVA13817MCJGKA	DIN to 6' cord w/N.A. plug	-
1/2 M	3/8 F	7/16	1.99	56	5	175	-	CDVA1382CJSCKEQ	-	Manual Shut off / Filter
								CDVA1382J3UBQPS	DIN to 6' cord w/N.A. plug	Manual Shut off / Filter
1/2 F	1/2 F	9/16	4.45	144	5	230	-	CDVA1MSH84LMV4U	-	-
								CDVA1MSHDPNM0DW	DIN to 6' cord w/N.A. plug	-
1/2 M	1/2 F	9/16	4.45	144	5	230	-	CDVA1MSJMJ2F39A	-	Manual Shut off / Filter
								CDVA1MSJQ64E8JC	DIN to 6' cord w/N.A. plug	Manual Shut off / Filter
Pilot Operated Assembly - Normally Closed - With Pilot Valve and Timer										
3/8 F	3/8 F	3/8	2.3	76	0	240	60 to 150	CDVA5G5JCP39FN	-	N/A
								CDVA5G5JJ3R2EQQ	DIN to 6' cord w/N.A. plug	
1/2 F	1/2 F	1/2	4.1	117	0	180	60 to 150	CDVA60Q0JLZ5L7A	-	
								CDVA60Q0Q614RGC	DIN to 6' cord w/N.A. plug	
3/4 F	3/4 F	3/4	7.6	154	0	90	60 to 150	CDVA6K8GQP97PW0	-	
								CDVA6K8GW8B6V52	DIN to 6' cord w/N.A. plug	
1 F	1	1	15	304	0	90	60 to 150	CDVA73790TM3NV6 ③	-	
								CDVA73796CP2U48 ③	DIN to 6' cord w/N.A. plug	

① Volume of condensate drained per second at max operating pressure. ② Additional assemblies available through configurator. ③ Also available in bronze.

Specifications (Assembly) (Metric units)

Inlet Pipe Size (ins.)	Valve Outlet Pipe Size (ins.)	Valve Orifice Dia. (mm)	Kv Flow Factor (m3/h)	Condensate Drained (oz/sec.) ①	Operating Pressure Differential (bar)		Pilot Pressure (bar)	Assembly Number ②	Featured Assembly Components	
					Min.	Max.	Air or Water		Range	Electrical Connections
Solenoid Assembly - Normally Closed - With Timer										
1/4 F	1/4 F	3.2	0.3	10	0	12	-	CDVA0JPJW5XCMLL	-	-
								CDVA0JPK1QZBSVN	DIN to 6' cord w/N.A. plug	-
1/2 M	1/4 F	3.2	0.3	10	0	12	-	CDVA0JPL6ND5VR2	-	Manual Shut off / Filter
								CDVA0JPLC7F5104	DIN to 6' cord w/N.A. plug	Manual Shut off / Filter
3/8 F	3/8 F	11.1	1.72	56	0.34	12	-	CDVA138122AKBA8	-	-
								CDVA13817MCJGKA	DIN to 6' cord w/N.A. plug	-
1/2 M	3/8 F	11.1	1.72	56	0.34	12	-	CDVA1382CJSCKEQ	-	Manual Shut off / Filter
								CDVA1382J3UBQPS	DIN to 6' cord w/N.A. plug	Manual Shut off / Filter
1/2 F	1/2 F	14.3	3.8	144	0.34	15.8	-	CDVA1MSH84LMV4U	-	-
								CDVA1MSHDPNM0DW	DIN to 6' cord w/N.A. plug	-
1/2 M	1/2 F	14.3	3.8	144	0.34	15.8	-	CDVA1MSJMJ2F39A	-	Manual Shut off / Filter
								CDVA1MSJQ64E8JC	DIN to 6' cord w/N.A. plug	Manual Shut off / Filter
Pilot Operated Assembly - Normally Closed - With Pilot Valve and Timer										
3/8 F	3/8 F	9.5	2	76	0	16.5	60 to 150	CDVA5G5JCP39FN	-	N/A
								CDVA5G5JJ3R2EQQ	DIN to 6' cord w/N.A. plug	
1/2 F	1/2 F	12.7	3.5	117	0	12.4	60 to 150	CDVA60Q0JLZ5L7A	-	
								CDVA60Q0Q614RGC	DIN to 6' cord w/N.A. plug	
3/4 F	3/4 F	19	6.5	154	0	6.2	60 to 150	CDVA6K8GQP97PW0	-	
								CDVA6K8GW8B6V52	DIN to 6' cord w/N.A. plug	
1 F	1	25.4	13	304	0	6.2	60 to 150	CDVA73790TM3NV6 ③	-	
								CDVA73796CP2U48 ③	DIN to 6' cord w/N.A. plug	

① Volume of condensate drained per second at max operating pressure. ② Additional assemblies available through configurator. ③ Also available in bronze.

Specifications (Solenoid Valve) (English units)

Pipe Size (ins.)	Orifice Dia. (ins.)	Cv Flow Factor	Volume Drained per Second (oz/sec.) ①	Operating Pressure Differential (psi)			Max. Fluid Temp. °F	Brass	Wattage	
				Min.	Max. AC	Max. DC			AC	DC
					Water	Water				
Solenoid Drain Valve - Normally Closed										
1/4"	1/16"	0.11	5	0	435	435	195	SC8261S405	9.2	9.2
1/4"	3/32"	0.18	7	0	290	230	195	SC8261S406	9.2	9.2
1/4"	1/8"	0.35	10	0	175	60	195	SC8261S408	9.2	9.2
1/4"	5/16"	0.93	24	0	145	145	195	SC8261S413	9.2	9.2
3/8"	25/64"	1.75	45	0	145	44	195	SC8238S401	9.2	9.2
3/8"	7/16"	2.89	56	5	175	175	195	SC8238T402	6	6
1/2"	1/2"	2.46	63	0	145	43	195	SC8238S404	13	13
1/2"	9/16"	4.45	144	5	230	230	195	SC8238T405	6	6

① Volume of condensate drained per second at max operating pressure (AC).

Specifications (Solenoid Valve) (Metric units)

Pipe Size (ins.)	Orifice Dia. (mm)	Kv Flow Factor (m3/h)	Volume Drained per Second (oz/sec.) ①	Operating Pressure Differential (bar)			Max. Fluid Temp. °C	Brass	Wattage	
				Min.	Max. AC	Max. DC			AC	DC
					Water	Water				
Solenoid Drain Valve - Normally Closed										
1/4"	1.6	0.09	5	0	30	30	91	SC8261S405	9.2	9.2
1/4"	2.4	0.15	7	0	20	15.8	91	SC8261S406	9.2	9.2
1/4"	3.2	0.3	10	0	12	4.1	91	SC8261S408	9.2	9.2
1/4"	7.9	0.8	24	0	10	10	91	SC8261S413	9.2	9.2
3/8"	9.5	1.5	45	0	10	3.1	91	SC8238S401	9.2	9.2
3/8"	12	2.5	56	0.34	12	12	91	SC8238T402	6	6
1/2"	12.7	2.1	63	0	10	3.1	91	SC8238S404	13	13
1/2"	14.3	3.8	144	0.34	15.8	15.8	91	SC8238T405	6	6

① Volume of condensate drained per second at max operating pressure (AC).

Specifications (Piston Valve) (English units)

Pipe Size (ins.)	Orifice Dia. (ins.)	Cv Flow Factor	Volume Drained per Second (oz/sec.) ①	Operating Pressure Differential (psi)		Max. Fluid Temp. °F	316 Stainless Steel	Air or Water Pilot Pressure (psi)	
				Min.	Max.			Min.	Max.
					Water				
Pilot Operated Piston Valve - Normally Closed									
3/8"	3/8"	2.3	76	0	240	366	8290A791	60	150
1/2"	1/2"	4.1	117	0	180	366	8290A792	60	150
3/4"	3/4"	7.6	154	0	90	366	8290A793	60	150
1"	1"	15	304	0	90	366	8290A395	60	150
1"	1"	15	304	0	90	366	8290A386*	60	150

① Volume of condensate drained per second at max operating pressure. * Bronze Body.

Specifications (Piston Valve) (Metric units)

Pipe Size (ins.)	Orifice Dia. (mm)	Kv Flow Factor (m3/h)	Volume Drained per Second (oz/sec.) ①	Operating Pressure Differential (bar)		Max. Fluid Temp. °C	316 Stainless Steel	Air or Water Pilot Pressure (bar)	
				Min.	Max.			Min.	Max.
					Water				
Pilot Operated Piston Valve - Normally Closed									
3/8"	9.5	1.4	76	0	16.5	185	8290A791	4.1	10.3
1/2"	12.7	3.5	117	0	12.4	185	8290A792	4.1	10.3
3/4"	19	6.5	154	0	6.2	185	8290A793	4.1	10.3
1"	25	13	304	0	6.2	185	8290A395	4.1	10.3
1"	25	13	304	0	6.2	185	8290A386*	4.1	10.3

① Volume of condensate drained per second at max operating pressure. * Bronze Body.

Specifications (Pilot Valve) (English units)

Pipe Size (ins.)	Orifice Dia. (ins.)	Cv Flow Factor	Operating Pressure Differential (psi)			Max. Fluid Temp. °F	Brass	Wattage	
			Min.	Max. AC	Max. DC			AC	DC
				Air or Water	Air or Water				
3-Way Solenoid Pilot Valves - Normally Closed									
1/8"	1/16"	0.09	0	140	140	180	SC8356A002V	6.3	6.9

Specifications (Pilot Valve) (Metric units)

Pipe Size (ins.)	Orifice Dia. (mm)	Kv Flow Factor (m3/h)	Operating Pressure Differential (bar)			Max. Fluid Temp. °C	Brass	Wattage	
			Min.	Max. AC	Max. DC			AC	DC
				Air or Water	Air or Water				
3-Way Solenoid Pilot Valves - Normally Closed									
1/8"	1.6	0.07	0	11.3	11.3	82	SC8356A002V	6.3	6.9

Assembly Components

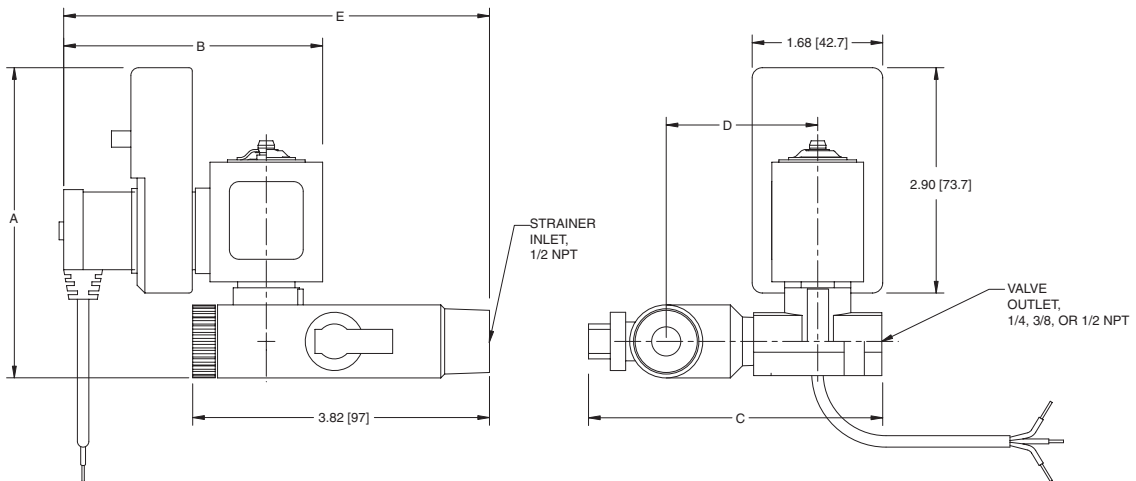
Assembly Part Numbers	Size	Drain Valve	Pilot Valve	Timer	Power Cord	Ball/Strainer
CDVA0JPJW5XCMLL	1/4"	SC8261S408 120/60	-	272839-001	-	-
CDVA0JPK1QZBSVN	1/4"	SC8261S408 120/60	-	272839-001	272852	-
CDVA0JPL6ND5VR2	1/4"	SC8261S408 120/60	-	272839-001	-	272851
CDVA0JPLC7F5104	1/4"	SC8261S408 120/60	-	272839-001	272852	272851
CDVA138122AKBA8	3/8"	SC8238S402 120/60	-	272839-009	-	-
CDVA13817MCJGKA	3/8"	SC8238S402 120/60	-	272839-009	272852	-
CDVA1382CJSCKEQ	3/8"	SC8238S402 120/60	-	272839-009	-	272851-002
CDVA1382J3UBQPS	3/8"	SC8238S402 120/60	-	272839-009	272852	272851-002
CDVA1MSH84LMV4U	1/2"	SC8238S405 120/60	-	272839-009	-	-
CDVA1MSHDPNMODW	1/2"	SC8238S405 120/60	-	272839-009	272852	-
CDVA1MSJJM2F39A	1/2"	SC8238S405 120/60	-	272839-009	-	272851-003
CDVA1MSJQ64E8JC	1/2"	SC8238S405 120/60	-	272839-009	272852	272851-003
CDVA5G5JCP39FN	3/8"	8290A791	SC8356A002V 120/60	272839-009	-	N/R
CDVA5G5JJ3R2EQQ	3/8"	8290A791	SC8356A002V 120/60	272839-009	272852	N/R
CDVA60Q0JLZ5L7A	1/2"	8290A792	SC8356A002V 120/60	272839-009	-	N/R
CDVA60Q0Q614RGC	1/2"	8290A792	SC8356A002V 120/60	272839-009	272852	N/R
CDVA6K8GQP97PWO	3/4"	8290A793	SC8356A002V 120/60	272839-009	-	N/R
CDVA6K8GW8B6V52	3/4"	8290A793	SC8356A002V 120/60	272839-009	272852	N/R
CDVA73790TM3NV6	1"	8290A386	SC8356A002V 120/60	272839-009	-	N/R
CDVA73796CP2U48	1"	8290A386	SC8356A002V 120/60	272839-009	272852	N/R

SPECIAL SERVICE VALVES

Dimensions: inches (mm)

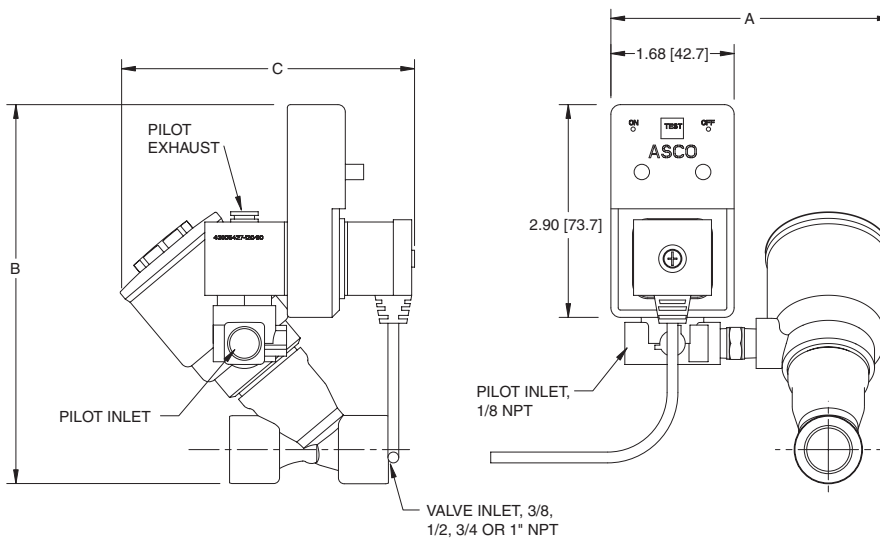
Solenoid Series

Assembly Number	A	B	C	D	E
CDVA0JPLC7F5104	3.99 (101)	3.33 (85)	3.79 (96)	1.95 (50)	5.48 (139)
CDVA1382J3UBQPS	4.93 (125)	3.29 (84)	5.39 (137)	3.35 (85)	5.40 (137)
CDVA1MSJQ64E8JC	4.93 (125)	3.29 (84)	5.39 (137)	3.35 (85)	5.40 (137)



Piloted Piston Series

Assembly Number	A	B	C
CDVA5G5JJ3R2EQQ	3.82 (97)	5.16 (131)	3.99 (101)
CDVA60QQ614RGC	3.82 (97)	5.16 (131)	3.99 (101)
CDVA6K8GW8B6V52	3.82 (97)	5.16 (131)	3.99 (101)
CDVA73796CP2U48	4.70 (119)	6.56 (167)	5.43 (138)



SPECIAL SERVICE VALVES

