

Features

- Protection for pre-wired ASCO remote pilot valves
- Corrosion resistant, cast aluminum enclosures available with Type 4X Watertight or Types 7 and 9 Explosionproof protection
- Installer-friendly valve layout
- For Explosionproof enclosure, manual operation possible through exhaust port in base
- Enclosures may be mounted in any position

Pilot Valve Enclosures

Standard: Watertight enclosure: Types 1, 2, 3, 3S, and 4X.
 Explosionproof enclosure: Types 4X, 6, 7, and 9. Class I, Div 1, Groups C and D. Class II, Div 1, Groups E, F, and G.
 Type 4X is standard on Explosionproof enclosure.
 See *Optional Features Section* for other available options.



Optional Heater Kit

Not available on explosionproof enclosure.
 3-8 valve enclosure configuration, Kit #125675-002.
 Not available for 9-12 valve enclosure.

Approvals

CSA certified.

Ordering instructions for Pilot Valve Enclosure - 3 to 12 Pilot Valves

Number of Valves	Watertight/Dusttight				Explosionproof		
	Catalog Number	Suffix			Catalog Number	Suffix	
		120/60 V	240/60 V	24VDC		120/60 V	240/60 V
3	125469-003-	-01-A	-02-A	-77-A	125847-003-	-01	-02
4	125469-004-	-01-A	-02-A	-77-A	125847-004-	-01	-02
5	125469-005-	-01-A	-02-A	-77-A	125847-005-	-01	-02
6	125469-006-	-01-A	-02-A	-77-A	125847-006-	-01	-02
7	125469-007-	-01-A	-02-A	-77-A			
8	125469-008-	-01-A	-02-A	-77-A			
9	125470-009-	-01-A	-02-A	-77-A			
10	125470-010-	-01-A	-02-A	-77-A			
11	125470-011-	-01-A	-02-A	-77-A			
12	125470-012-	-01-A	-02-A	-77-A			

To order for different voltages, add suffix to catalog numbers, as shown above: -01-A* for 120 volt, 60 Hz valves; -02-A* for 240 volt, 60 Hz valves; -77-A for 24 VDC valves.
 Example: Specify Catalog Number 125470-009-02-A for a Type 4X box, which includes nine 240 volt, 60 Hz PSFX8262C002-17523 pilot valve with screw terminal coils.

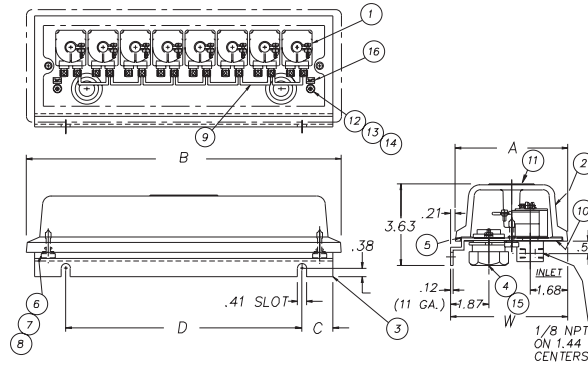
Pilot Valve Specifications (English, Metric units)

Pipe Size (ins.)	Orifice Size (mm)	Cv Flow Factor (Kv Flow Factor m3/h)	Max. Pressure psi (bar)	Catalog Number	Watt Rating/Class of Coil Insulation	Spare Coil
Watertight Enclosure includes these built-in pilot valves:						
1/8	1/8 (3.2)	0.34 (0.29)	150 (10)	PSFX8262C002-17523	6/F	125472
Explosionproof Enclosure includes these built-in pilot valves:						
1/8	1/8 (3.2)	0.34 (0.29)	150 (10)	X8200 001-17579	6/F	125472

SPECIAL SERVICE VALVES

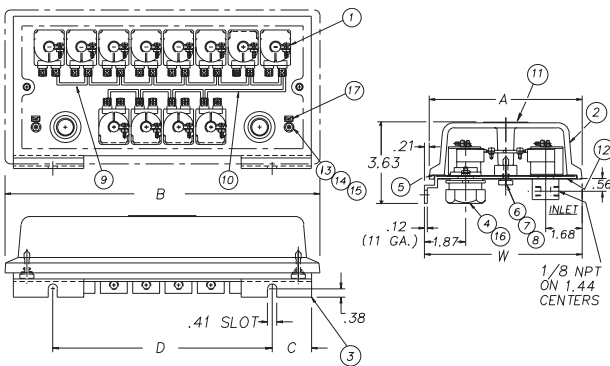
Dimensions inches (mm)

**Type 4X Watertight Enclosures
8 Valve Maximum**



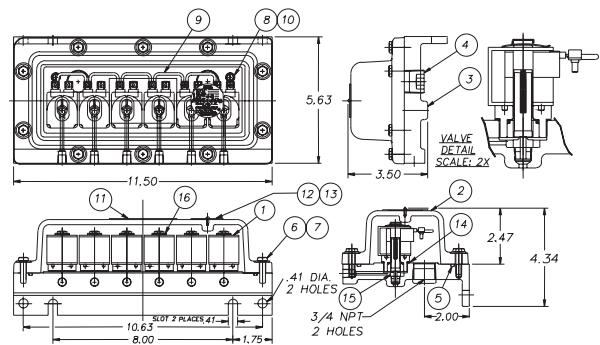
Catalog No.		A	B	C	D	W
125-469	ins.	5.00	14.00	1.38	10.50	5.21
	mm	127	356	35	267	132

**Type 4X Watertight Enclosure
12 Valve Maximum**



Catalog No.		A	B	C	D	W
125-470	ins.	6.81	14.00	1.75	9.75	7.02
	mm	173	356	44	248	178

**Type 7 and 9 Explosionproof Enclosure
Explosionproof Assembly - 6 Valve Maximum**



**SPECIAL
SERVICE VALVES**