



Series 43 Hazardous Locations

Stainless Steel Media Isolated Pressure Sensor

Series
43

Features

- Class 1 Div 2, Groups A, B, C, and D for use in hazardous location.
- High Strength Stainless Steel Construction.
- No silicone oil, no internal o-rings, no welds.
- Wide operating temperature range.
- Ranges up to 10,000 PSI.
- Rugged design survives harsh environments.
- Compatible with wide range of gases and liquids.
- Suitable for high shock and vibration applications.

Specifications

Performance @ 25 °C (77 °F)	
Accuracy ¹	<±0.25% BFSL
Stability (1 year)	±0.25%FS, typ
Proof Pressure	2X Rated Pressure
Burst Pressure	5X or 20,000 PSI, whichever is less
Wetted Material	17-4PH S.S. (NACE compatible) (for other material consult factory)
Pressure Cycles	> 100 Million

¹ Accuracy includes: Non-linearity, Hysteresis and Non-repeatability

Physical Description	
Case	304 Stainless Steel
Pressure Fittings	1/4" MNPT, 1/2" MNPT (for others consult factory)
Electrical Connection	2 feet cable std. (for other lengths consult factory 1/2" conduit connection only)

Environmental Data	
Temperature	
Operating	-40 to 85 °C (-40 to 185 ° F)
Storage	-55 to 125 °C (-65 to 250 ° F)
Thermal Limits	
Compensated Range	0 to 55 °C (30 to 130 ° F)
TC Zero	<±1.5% of FS (2.0% for 316 L)
TC Span	<±1.5% of FS (2.0% for 316 L)
Other	
Shock	100G, 11msec, 1/2 sine
Vibration	20G Peak, 20 to 2000 HZ
Rating:	IP-66
EMI/RFI Protection	Yes



Electrical Data		
Excitation	5VDC	10-28 VDC
Output	0.5-4.5V Ratiometric	1-5 V & 4-20mA
Input Impedance	N/A	N/A
Output Impedance	100 Ohms nom.	100 Ohms, nom. -
Current Consumption	<10mA	<10mA & 25mA max
Bandwidth (-3dB)	DC to 1kHz	DC to 1kHz & 250Hz
Output Noise	<2mV RMS	<2mV RMS
Reverse polarity	YES	YES
Zero Offset	<±1% of FS	<±1% & 1.5% of FS
Span Tolerance	<±2% of FS	<±2% of FS
Output Load	10k Ohms, min.	10k Ohms, min. For voltage output for 4-20mA, see Load Line Curve
Agency Approvals	UL/CUL 1604 for all models	

Pressure Ranges*+			
Gage psig	Proof psig	Burst psig	Pressure Range Code
0-25	50	250	00025
0-50	100	250	00050
0-100	200	500	00100
0-200	400	1,000	00200
0-500	1,000	2,500	00500
0-1,000	2,000	5,000	01000
0-2,500	5,000	12,500	02500
0-5,000	10,000	20,000	05000
0-7,500	15,000	20,000	07500
0-10,000	20,000	20,000	10000

* Typical Ranges. All ranges between 0-25psi and 0-10,000psi are available. Please consult factory.

+ Vacuum calibration available. Please consult factory. Specifications are subject to change without notice.

Ordering Information

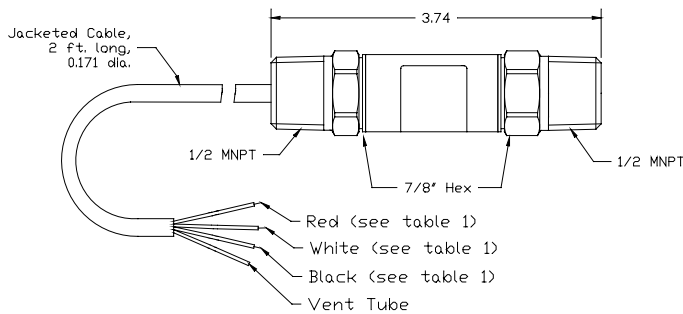
Construct a product code using the chart below. (Consult factory for other options)

43-A-00500-B-3-L-0-000

Series Type	Process Connection	Pressure Range	Pressure Unit	Outputs	Electrical Interface	Wetted Material	Options
43 Hazardous Locations	X= Special A= 1/4" MNPT J= 1/4" FNPT E= 1/2" MNPT C= 1/4" BSPP Male D= 1/8" BSPP Male	XXXXX= Special Insert Pressure Range from Chart Vacuum=V0000 -14.7psig/-1.01 bar	X= Special B= BAR K= kg/cm ² P= PSI	X= Special 1= 10mV/V 2= 0.5-4.5V ratiometric 3= 1-5V/DC 4= 4-20mA 2 wire 6= 1-6V	X= Special L= 2ft cable with conduit M= 4ft cable with conduit N= 6ft cable with conduit P= 10ft cable with conduit	X= Special 0= 17-4 PH 1= 316 L 2= Inconel	XXX= Special 000= No Options 001= Etched Name Plate A10= ±0.10 Accuracy A25= ±0.25 Accuracy C01 Calibration 1-9 C10 Calibration 10-49 C50 Calibration 50-up

Dimensional Information

Output	Red	Black	White
1-5V	+V Supply	-V Supply	Output
4-20mA	+V Supply	-V Supply	N/C



Output	Red	Black	White
1-5V	+V Supply	-V Supply	Output
4-20mA	+V Supply	-V Supply	N/C

