

The RB Series is available in 2-way and 3-way constructions, designed to control the flow of air and inert gases. The valves are highly customizable and suitable for a wide range of OEM applications where light weight, low power, and long life are critical.

- Cycle life in the hundreds of millions
- Low power consumption and light weight offers extended battery life for portable devices
- Multiple body configurations to suite the application needs

Construction

Valve Wetted Parts	
Body	PBT, Brass
Gaskets	FKM, NBR
Bobbin/Core Tube	PBT
Core and Plugnut	400 Series Stainless Steel
Springs	300 Series Stainless Steel

Electrical

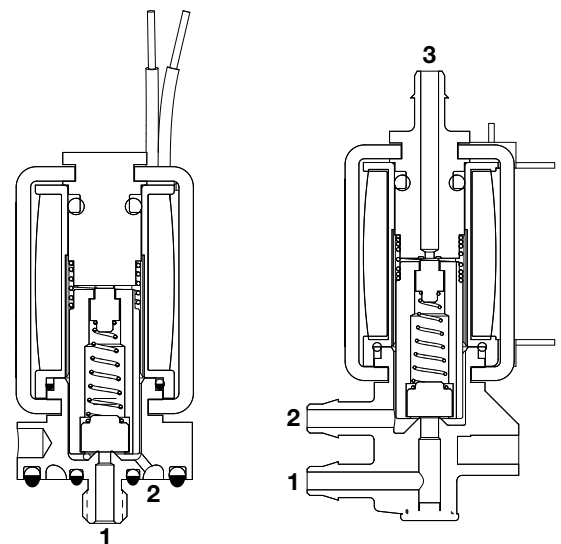
Standard Voltages	5 VDC, 12 VDC, 24 VDC
Power Consumption	0.5, 1.0, & 2.0 Watts
Duty Cycle Rating	Continuous
Coil Insulation	266°F (130°C)
Electrical Connection	26 AWG Hardwire, Circuit Board Mount

Valve

Response Time	~10ms
Internal Volume	Line Mount = 718ml Manifold Mount = 604ml Barb Mount = 600ml Pad Mount = 587
Vacuum Rating	29" Hg
Options	Oxygen clean available

Alternate Construction

Many alternative constructions are available and include a variety of voltages, electrical connectors, and porting styles. Minimum orders apply.



Temperature Range:

Ambient & Media:
32°F to 140°F (0°C to 60°C)

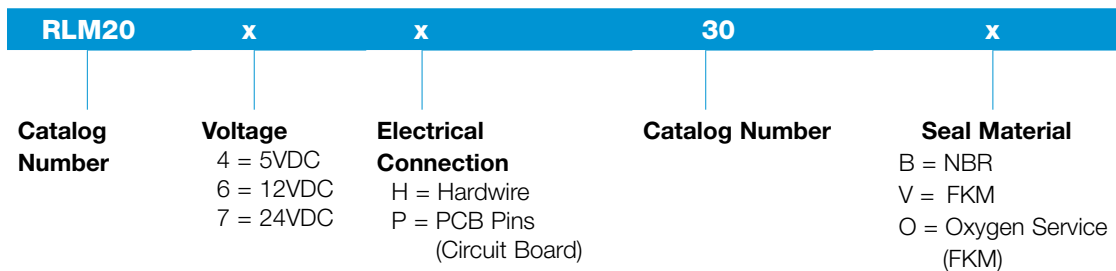
Approvals:

Meets applicable CE directives.

Specifications

Body Style	Orifice Size	Cv Flow Factor	Maximum Pressure (psi)	Catalog Number	Power (Watts)	Weight (oz)
2/2NC - Normally Closed						
# 10-32 Stud Manifold Mount, Brass (M)	0.030	0.025	50	RLM20xx30x	0.5	1.5
	0.030	0.025	100	RHM20xx30x	2.0	1.5
	0.050	0.055	25	RLM20xx50x	0.5	1.5
	0.050	0.055	50	RMM20xx50x	1.0	1.5
	0.050	0.055	100	RHM20xx50x	2.0	1.5
	0.080	0.080	25	RHM20xx80x	2.0	1.5
# 10-32 Female In-Line, Brass (L)	0.030	0.025	50	RLL20xx30x	0.5	1.5
	0.030	0.025	100	RHL20xx30x	2.0	1.5
	0.050	0.055	25	RLL20xx50x	0.5	1.5
	0.050	0.055	50	RML20xx50x	1.0	1.5
	0.050	0.055	100	RHL20xx50x	2.0	1.5
	0.080	0.080	25	RHL20xx80x	2.0	1.5
0.125" Barbed PBT (B)	0.030	0.025	15	RLB20xx30x	0.5	1.2
	0.030	0.025	50	RMB20xx30x	1.0	1.2
	0.030	0.025	100	RHB20xx30x	2.0	1.2
	0.050	0.055	10	RLB20xx50x	0.5	1.2
	0.050	0.055	35	RMB20xx50x	1.0	1.2
	0.050	0.055	70	RHB20xx50x	2.0	1.2
	0.080	0.080	25	RHB20xx80x	2.0	1.2
Pad Mount, PBT (F)	0.030	0.025	15	RLF20xx30x	0.5	1.2
	0.030	0.025	50	RMF20xx30x	1.0	1.2
	0.030	0.025	100	RHF20xx30x	2.0	1.2
	0.050	0.055	10	RLF20xx50x	0.5	1.2
	0.050	0.055	35	RMF20xx50x	1.0	1.2
	0.050	0.055	70	RHF20xx50x	2.0	1.2
	0.08	0.080	25	RHF20xx80x	2.0	1.2

Catalog Number Description and Options



Examples

RLM204H30B = 2-way normally closed, manifold mount with 0.030" orifice, 0.5 watt, hardwire, NBR seals

Body Style	Orifice Size	Cv Flow Factor	Maximum Pressure (psi)	Catalog Number	Power (Watts)	Weight (oz)
3/2NC - Normally Closed						
# 10-32 Stud Manifold Mount, Brass (M)	0.03 / 0.04	0.025	50	RLM3xxx34x	0.5	1.5
	0.03 / 0.04	0.025	100	RHM3xxx34x	2.0	1.5
	0.05 / 0.05	0.055	25	RLM3xxx55x	0.5	1.5
	0.05 / 0.05	0.055	50	RMM3xxx55x	1.0	1.5
	0.05 / 0.05	0.055	100	RHM3xxx55x	2.0	1.5
	0.08 / 0.05	.080 / .055	25	RHM3xxx85x	2.0	1.5
# 10-32 Female In-Line, Brass (L)	0.03 / 0.04	0.025	50	RLL3xxx34x	0.5	1.5
	0.03 / 0.04	0.025	100	RHL3xxx34x	2.0	1.5
	0.05 / 0.05	0.055	25	RLL3xxx55x	0.5	1.5
	0.05 / 0.05	0.055	50	RML3xxx55x	1.0	1.5
	0.05 / 0.05	0.055	100	RHL3xxx55x	2.0	1.5
	0.08 / 0.05	.080 / .055	25	RHL3xxx85x	2.0	1.5
0.125" Barbed PBT (B)	0.03 / 0.04	0.025	15	RLB3xxx34x	0.5	1.2
	0.03 / 0.04	0.025	50	RMB3xxx34x	1.0	1.2
	0.03 / 0.04	0.025	100	RHB3xxx34x	2.0	1.2
	0.05 / 0.05	0.055	10	RLB3xxx55x	0.5	1.2
	0.05 / 0.05	0.055	35	RMB3xxx55x	1.0	1.2
	0.05 / 0.05	0.055	70	RHB3xxx55x	2.0	1.2
	0.08 / 0.05	.080 / .055	25	RHB3xxx85x	2.0	1.2
Pad Mount PBT (F)	0.03 / 0.04	0.025	15	RLF3xxx34x	0.5	1.2
	0.03 / 0.04	0.025	50	RMF3xxx34x	1.0	1.2
	0.03 / 0.04	0.025	100	RHF3xxx34x	2.0	1.2
	0.05 / 0.05	0.055	10	RLF3xxx55x	0.5	1.2
	0.05 / 0.05	0.055	35	RMF3xxx55x	1.0	1.2
	0.05 / 0.05	0.055	70	RHF3xxx55x	2.0	1.2
	0.08 / 0.05	.080 / .055	25	RHF3xxx85x	2.0	1.2

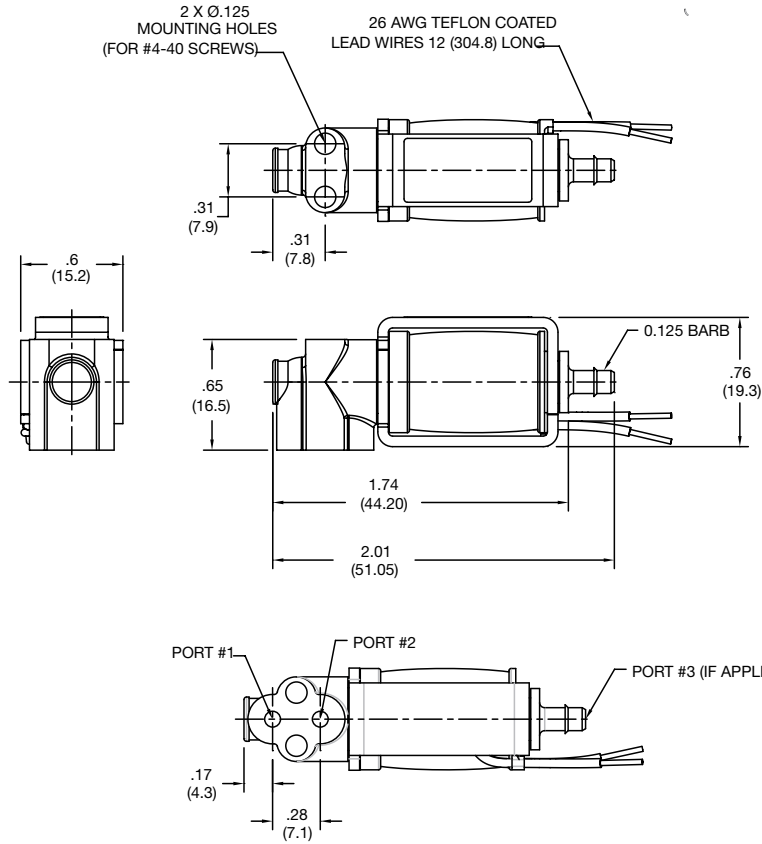
Catalog Number Description and Options

RLM3	x	x	x	30	x
Catalog Number	Port 3 Style B = 0.125" Barb F = #10-32 Female	Voltage 4 = 5VDC 6 = 12VDC 7 = 24VDC	Electrical Connection H = Hardwire P = PCB Pins (Circuit Board)	Catalog Number	Seal Material B = NBR V = FKM O = Oxygen Service (FKM)

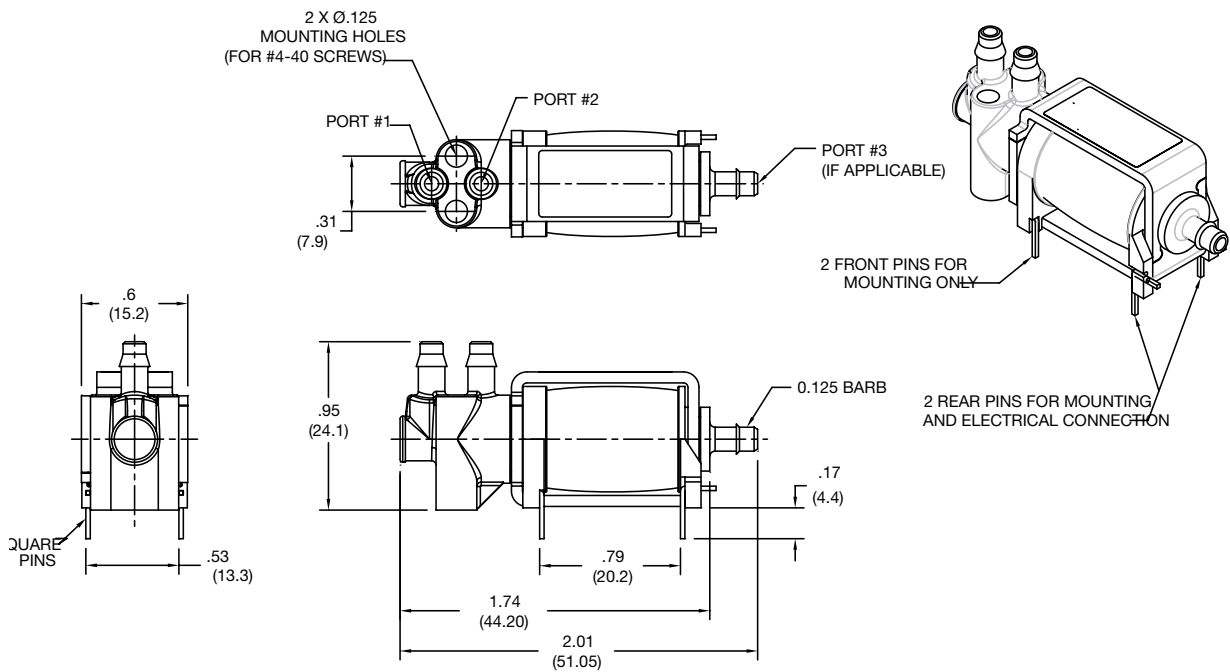
Examples

RLM3B7P34V = 3-way normally closed, manifold mount with 0.030" orifice, 0.5 watt, PCB coil, FKM seals

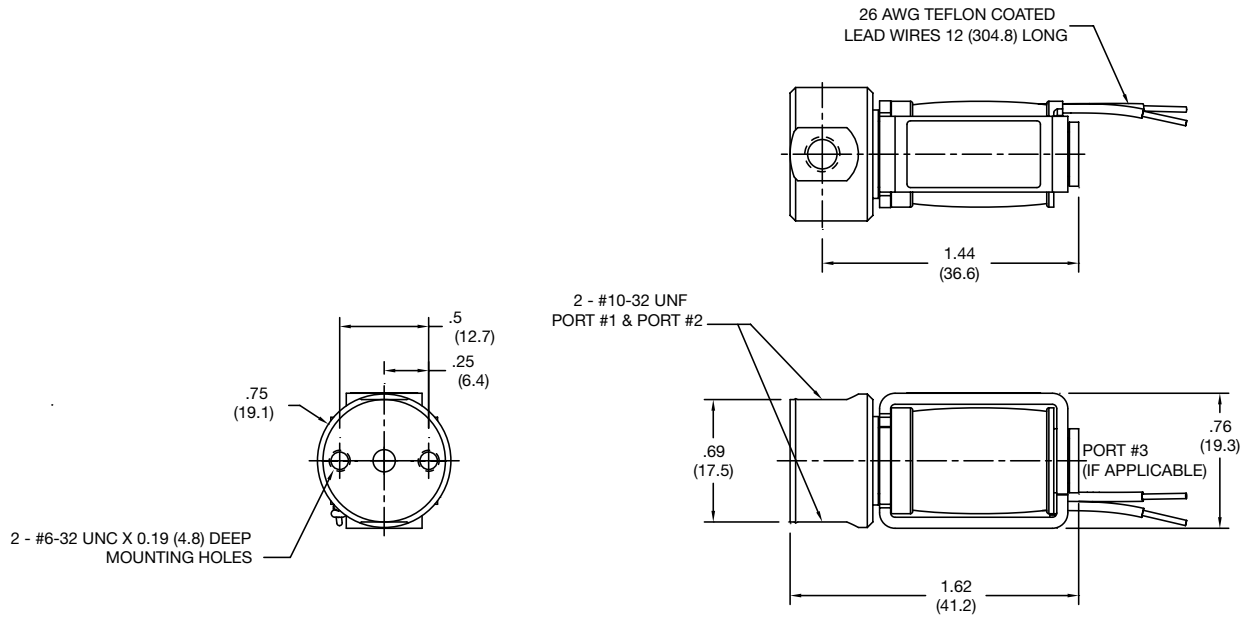
Dimensions - 2 and 3-Way Pad Mount Solenoid: Inches (mm)



Dimensions - 2 and 3-Way Barb Mount Solenoid: Inches (mm)



Dimensions - 2 and 3-Way Line Mount Solenoid: Inches (mm)



Dimensions - 2 and 3-Way Manifold Mount Solenoid: Inches (mm)

