



The Series 067 is a 10mm wide manifold mount, miniature, rocker type, isolation valve designed to control the flow of aggressive chemicals or high purity fluids. The Series 067 offers the following benefits:

- Inert materials of construction, such as PEEK and FFKM
- Small internal volume
- Excellent flushability
- Self draining
- Low power consumption

Construction

Valve Parts in Contact with Fluids	
Body	PEEK
Diaphragm	FFKM or EPDM or FKM

Electrical

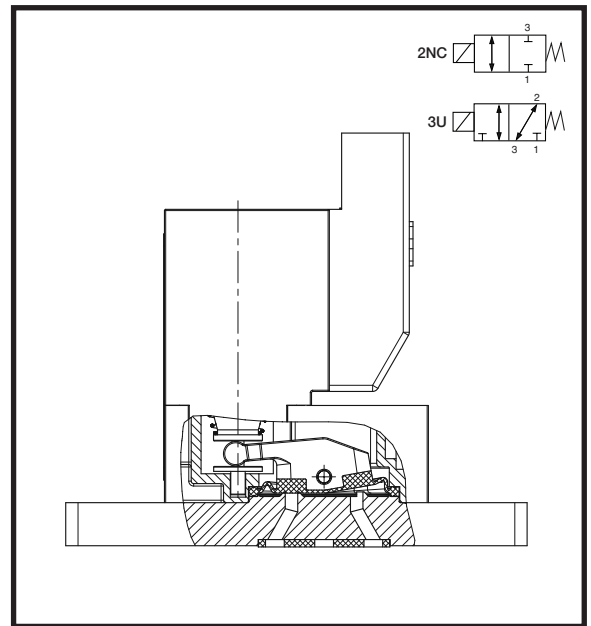
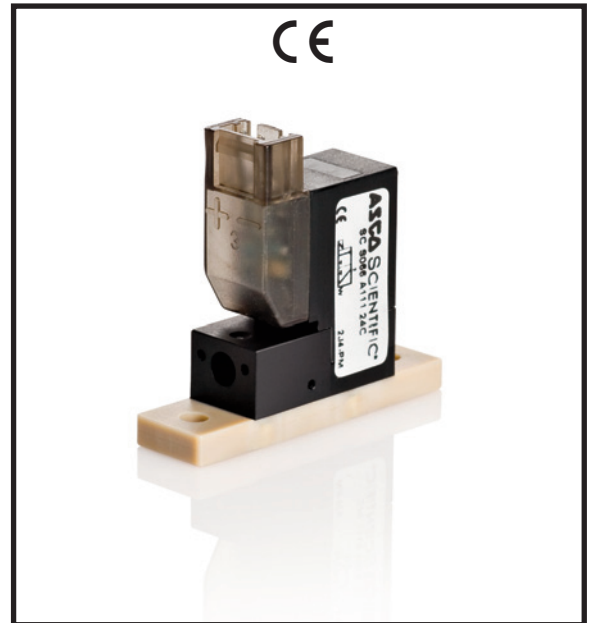
Standard Voltages	12 VDC, 24 VDC
Power Consumption	2.5 W – 1 W* holding (*with power save electronics)
Duty Cycle Rating	Continuous
Electrical Response Time	<10 msec open or close
Ambient Temperature	50°F to 122°F (10°C to 50°C)
Electrical Connection	Spade terminals or lead wires (see Specification Chart for details)
Protection Rating	IP40

Valve

Internal Volume	13µl
Fluid Temperature	25°F to 104°F (-5°C to 40°C)
Vacuum Rating	26 in-Hg at any port

Alternate Construction/Options

Many alternate constructions/options are available, including a variety of voltages, electrical connections, orifice diameters and port connections. ASCO Scientific can also custom design a valve for your specific application.



Specifications

Pipe Size	Orifice Size (ins.)	Flow Coefficient Cv =	Maximum Operating Pressure (psi)			Electrical Connection/Type (*)	Prefix	Basecode	Const. Ref.	Options	
			Vac. (in/Hg)	Max.						EPDM	FKM
				Gases	Liquids						
2/2 NC - Normally Closed											
Manifold	0.023	0.007	26.6	44	44	1	SC	S067A021	1	E	V
						2		S067A022	2		
						3		S067A025	3		
	0.031	0.015	26.6	30	30	1	SC	S067A026	1	E	V
						2		S067A027	2		
						3		S067A030	3		
	0.039	0.023	26.6	22	22	1	SC	S067A031	1	E	V
						2		S067A032	2		
						3		S067A035	3		
	0.053	0.032	26.6	15	15	1	SC	S067A036	1	E	V
						2		S067A037	2		
						3		S067A040	3		
3/2 U - Universal											
Manifold	0.023	0.007	26.6	44	44	1	SC	S067A101	1	E	V
						2		S067A102	2		
						3		S067A105	3		
	0.031	0.015	26.6	30	30	1	SC	S067A106	1	E	V
						2		S067A107	2		
						3		S067A110	3		
	0.039	0.023	26.6	22	22	1	SC	S067A111	1	E	V
						2		S067A112	2		
						3		S067A115	3		
	0.053	0.032	26.6	15	15	1	SC	S067A116	1	E	V
						2		S067A117	2		
						3		S067A120	3		

(*) Types 1 & 2 with LED
 1 = Horizontal width: 5.08 mm 2 = Vertical width: 5.08 mm
 3 = Flying leads, 0.5 m long, 0.25 mm

Options

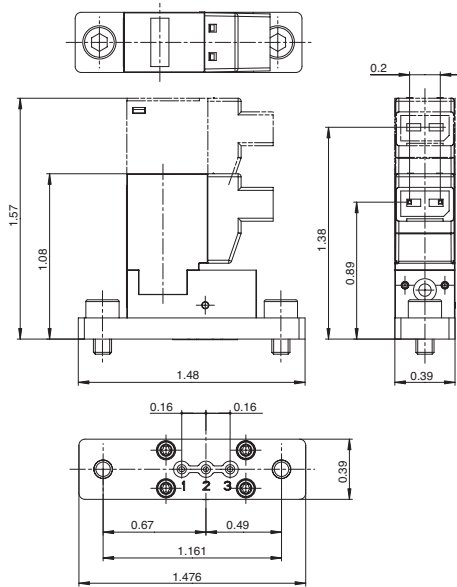
Manual operator (impulse-type)
 Normally open constructions (consult factory)

Installation

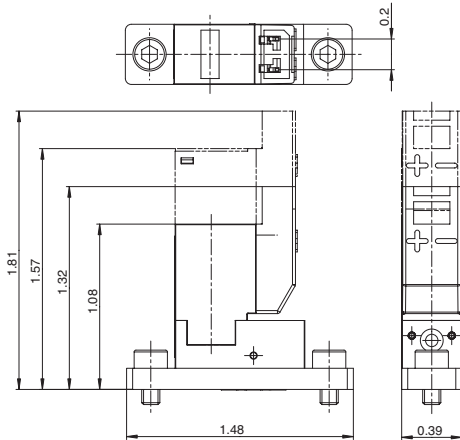
The solenoid valves can be mounted in any position without affecting operation.
 Installation/maintenance instructions are included with each valve.
 Torque specifications for mounting screws is 5 in-lbs.

Dimensions: inches

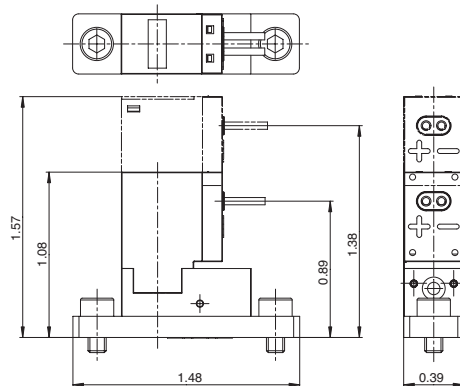
Const. Ref. 1



Const. Ref. 2



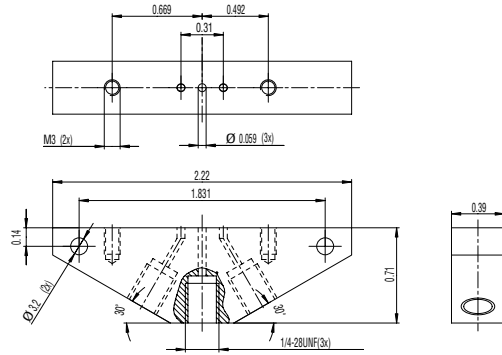
Const. Ref. 3



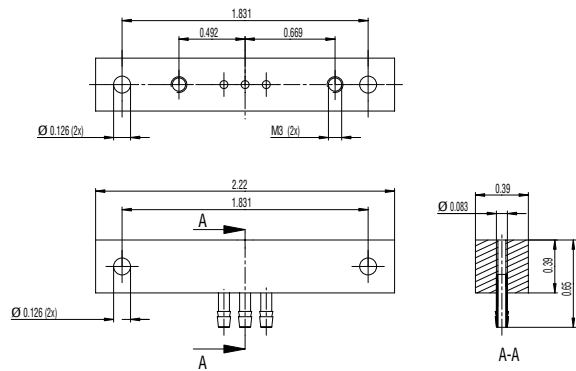
Note: Taller coil for 0.053 orifice versions.

Single Subbases

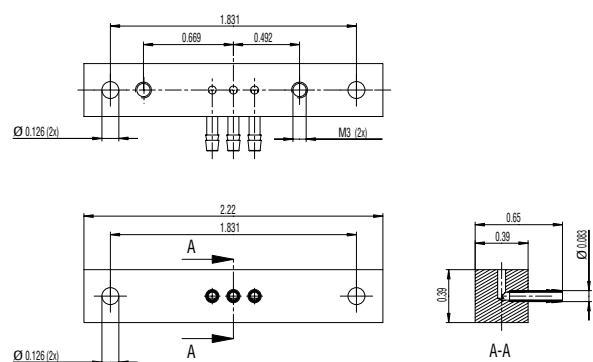
1/4 - 28 UNF thread (P/N 36100040)



Bottom push-in hose connection (P/N 36100042)



Side push-in hose connection (P/N 36100044)



Connectors must be ordered separately, please specify the quantity and codes as necessary.

0.5m long	Code: 881 18 801
1.5m long	Code: 881 18 802
1.5m long	Code: 881 18 803



