

The Series 188 is a 3-way, 10 mm wide micro solenoid valve designed to be used in fluid power applications. Using air or other neutral gasses the Series 188 can be used to pilot other valves or cylinders.

- Compact manifold design saves space and reduces assembly time
- Low power consumption
- LED and electrical protection comes standard
- Manual override

### Construction

Valve Parts in Contact with Fluids	
Body	Manifold Mount: Polyamide (PA), In-line: Brass
Diaphragm	Nitrile (NBR)
Internal Parts	Brass & Stainless Steel
Manifold	Anodized Aluminum

### Electrical

Standard Voltages	12 VDC or 24 VDC
Power Consumption	1 Watt
Duty Cycle Rating	Continuous
Coil Insulation	Class F
Ambient Temperature	41°F to 122°F (5°C to 50°C)
Electrical Connection	Clip type with lead wires, LED and diode protection.
Protection Rating	IP40

Connectors sold separately (see next page)

### Valve

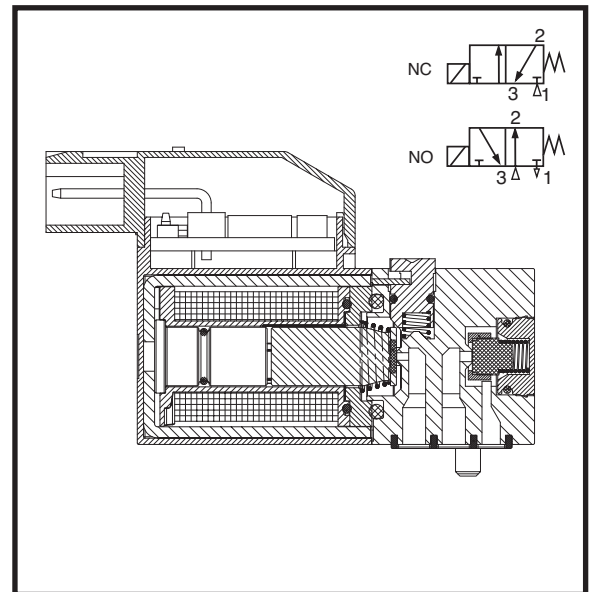
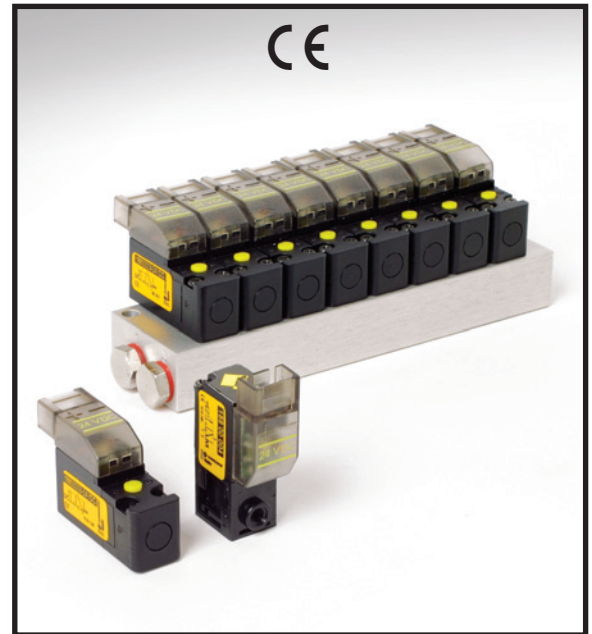
Response Time	Approx. 6 ms on, 8 ms off
Fluid Temperature	41°F to 122°F (5°C to 50°C)

### Solenoid Valves Assembled to Manifolds

# of Valves	Cat. No.	# of Valves	Cat. No.	# of Valves	Cat. No.
2	18800054	5	18800057	8	18800060
3	18800055	6	18800058	9	18800061
4	18800056	7	18800059	10	18800062

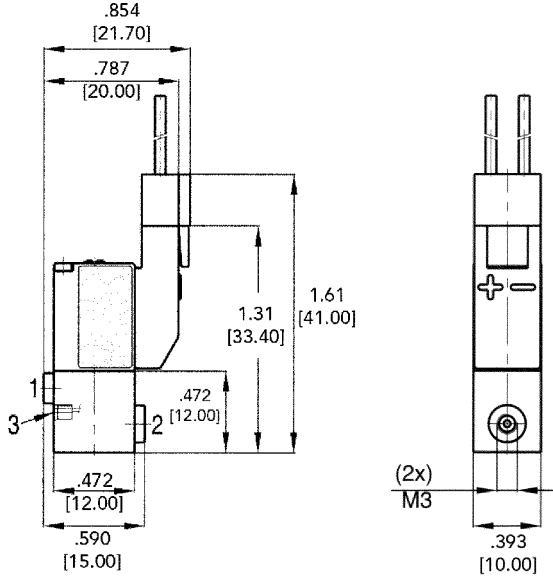
### Specifications - Valve only

Ports	Orifice Size (ins.)	Cv Flow Factor	Differential Pressure (psi)			Catalog Numbers	Power (Watts)	Weight (oz)
			Min.	Max. Gases	Max. Liquids			
<b>In-Line Version</b>								
M3	0.024	0.008	0	115	0	18801004	1.3	0.388
<b>Manifold Mount Version - Normally Closed</b>								
-	0.020	0.008	0	115	0	18801003	1.3	0.388
-	0.031	0.010	0	58	0	18801081	1.3	0.388
-	0.039	0.012	0	36	0	18801086	1.3	0.388
<b>Manifold Mount Version - Normally Open</b>								
-	0.020	0.008	0	87	0	18801063	1.3	0.388
-	0.031	0.010	0	44	0	18801091	1.3	0.388
-	0.039	0.012	0	22	0	18801096	1.3	0.388

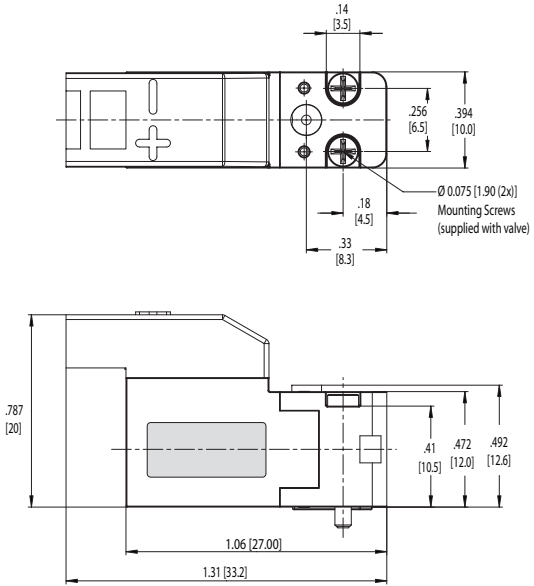


Dimensions: Inches [mm]

In-line Version

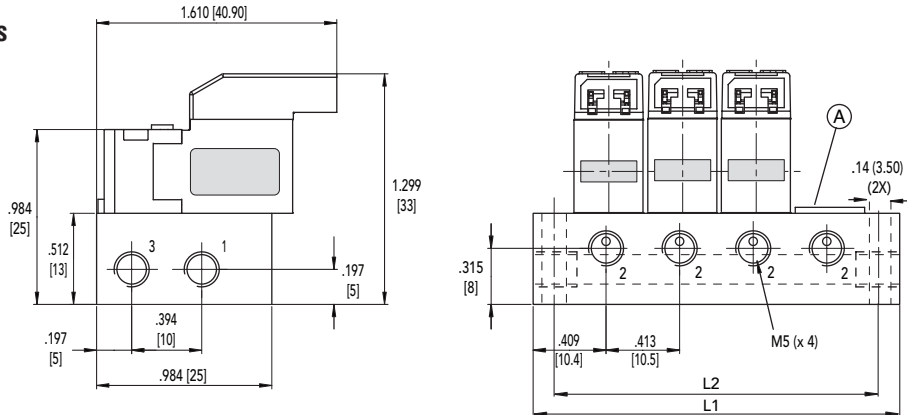


Manifold Mount Version



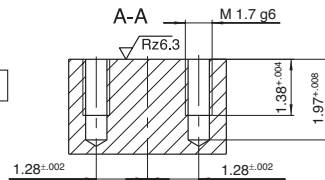
**Solenoid valves assembled to manifolds**  
( Normally closed, 0.020" orifice only.  
Consult ASCO for alternative configurations)

No. of Valves	Catalog Number	Length		Total Weight (oz)
		L1	L2	
2	18800054	1.32	1.08	2.08
3	18800055	1.73	1.50	3.18
4	18800056	2.15	1.91	4.27
5	18800057	2.56	2.32	5.37
6	18800058	2.97	2.74	6.46
7	18800059	3.39	3.15	7.48
8	18800060	3.80	3.56	8.51
9	18800061	4.21	3.98	9.60
10	18800062	4.63	4.39	10.70



A - Blanking Plate, Catalog # 881 35 305

Flange facing



The connectors should be ordered **separately**.  
Connectors with 2 lead wires

Length	Catalog Number
0.5m	881 18 801
1.5m	881 18 802
3m	881 18 803

