

The Series 284 are 2-way, normally closed and normally open, solenoid operated pinch valves designed to control the flow of corrosive or high purity fluids in medical equipment, analytical instruments, and industrial applications. Pinch valves control fluid flow by locating soft tubing in a mechanism that "pinches" the tubing to block flow and releases to allow flow.

- Large open gap for high flow and handling of particulate media
- Zero dead volume prevents cross-contamination
- Electrical connections can be kept separate from fluid area via built-in panel mount bracket
- Built-in manual operator for easy tubing change out and testing
- Removable/Rotatable coil for easy service and installation

Construction

Valve Parts in Contact with Fluids	
Recommended Tubing	VMQ (Silicone), max. hardness 50 Shore A (Not supplied with valve. Sold separately, see page 74)

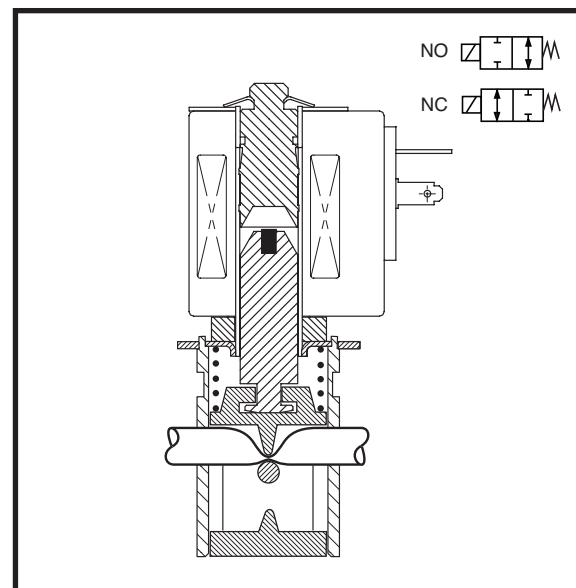
Other Parts	
Body	Anodized Aluminum
Pinch Mechanism	POM (reinforced acetal copolymer)
Internal Solenoid Parts	Stainless Steel
Core Tube	Nickel plated brass

Electrical

Standard Voltage	12, 24 VDC +10%, -5%
Power Consumption	4, 9, 13 Watts
Duty Cycle Rating	Continuous
Coil Insulation	Class F
Ambient Temperature	14°F to 140°F (-10°C to 60°C)
Electrical Connection	DIN Spade Terminals
DIN Connectors (not included with valve. See page 75)	
- 4 Watt Coil	Size 9.4 mm, Form C
- 9 Watt Coil	Size 18 mm, Form A
- 13 Watt Coil	Size 18 mm, Form A
Protection Rating	IP65 with DIN Plug Connector

Valve

Response Time	~ 20 ms
----------------------	---------

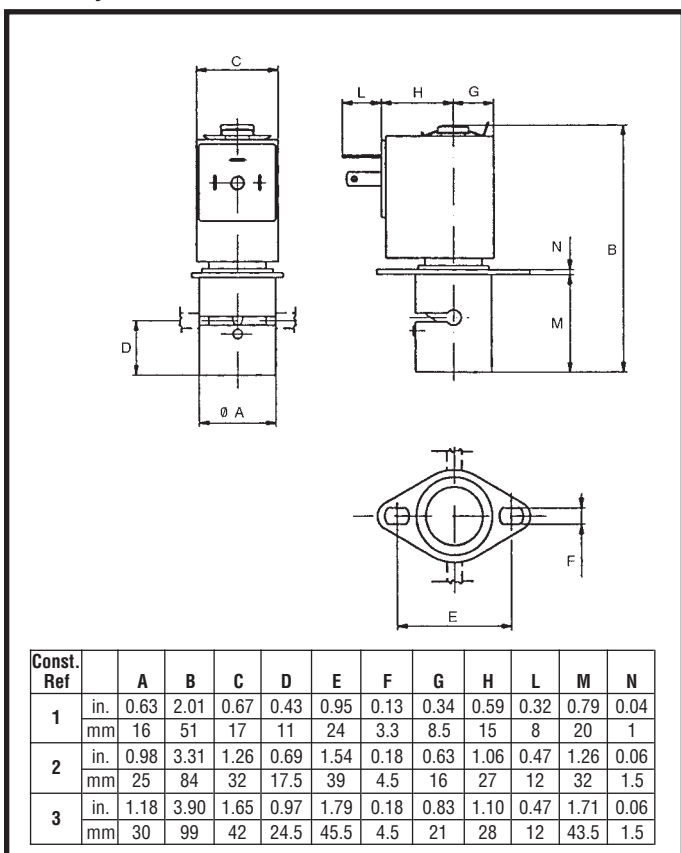


Specifications

Tubing ID (Inches)	Tubing OD (Inches)	Differential Pressure (psi)					Catalog Number	Constr. Ref. No.	Power (Watts)	Weight (oz.)
		Min.	Max. AC		Max. DC					
			Gases	Liquids	Gases	Liquids				
NORMALLY CLOSED										
0.030	0.065		-	-	15	15	SCH284A001	1	4	1.8
0.040	0.085	0	-	-	15	15	SCH284A002	1	4	1.8
0.062	0.125	0	-	-	15	15	SCH284A003	1	4	1.8
0.078	0.125	0	-	-	15	15	SCH284A004	1	4	1.8
0.104	0.192	0	-	-	15	15	SCH284A005	2	9	9
0.132	0.183	0	-	-	15	15	SCH284A005	2	9	9
0.187	0.313	0	-	-	15	15	SCH284B006	3	13	15
0.250	0.375	0	-	-	15	15	SCH284B007	3	13	15
NORMALLY OPEN										
0.030	0.065	0	-	-	15	15	SCH284A009	4	4	1.8
0.040	0.085	0	-	-	15	15	SCH284A010	4	4	1.8
0.062	0.125	0	-	-	15	15	SCH284A011	4	4	1.8
0.078	0.125	0	-	-	15	15	SCH284A012	4	4	1.8
0.104	0.192	0	-	-	15	15	SCH284A013	5	9	9
0.132	0.183	0	-	-	15	15	SCH284A013	5	9	9
0.187	0.313	0	-	-	15	15	SCH284B014	6	13	15
0.250	0.375	0	-	-	15	15	SCH284B015	6	13	15

Dimensions: inches [mm]

Normally Closed



Normally Open

