

## Features

- Designed to isolate corrosive fluids from solenoid parts
- Only the isolating part, seals, and body are in contact with fluids
- No minimum operating pressure required
- Variety of body materials and process connections
- Many other constructions (not shown here) are available in a wide range of sizes

## Construction

Valve Parts in Contact with Fluids		
	8260	8030
Body	CA, PP	Brass/Stainless Steel
Diaphragm/Disc	EPDM, FKM	PTFE
Seals	-	FKM

## Electrical

Standard Coil and Class of Insulation	Watt Rating and Power Consumption AC				Spare Coil Part No	
	DC Watts	AC			General Purpose	
		Watts	VA Holding	VA Inrush	AC	DC
F	10.6	6.1	16	30	238210	238310
H	-	20	43	135	222345	-

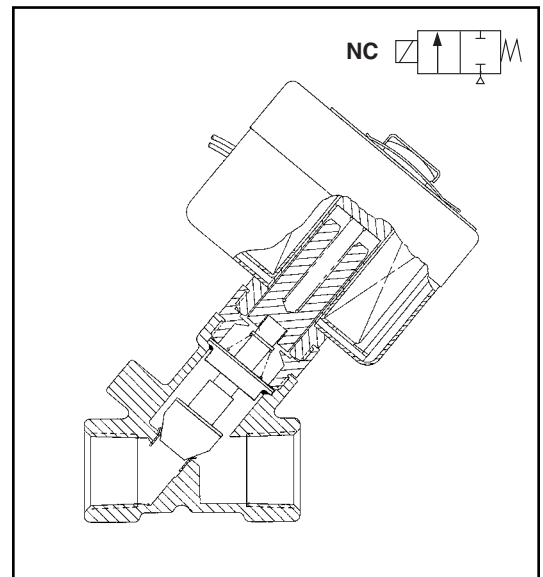
**Standard Voltages:** 24, 120, 240, 480 volts AC, 60 Hz (or 110, 220 volts AC, 50 Hz).  
6, 12, 24, 120, 240 volts DC. Must be specified when ordering.  
Other voltages available when required.

## Solenoid Enclosures

**Standard:** RedHat II Watertight, Types 1, 2, 3, 3S, 4, and 4X; RedHat Type 1.

**Optional:** Open Frame Solenoid, Junction Box enclosure, and Panel Mount Constructions.

See *Optional Features Section* for descriptions on these and other available options.



SPECIAL SERVICE VALVES

## Nominal Ambient Temp. Ranges

RedHat II: AC: 32°F to 125°F (0°C to 52°C)

DC: 32°F to 104°F (0°C to 40°C)

RedHat: AC: 32°F to 77°F (0°C to 25°C)

(104°F/40°C occasionally)

Refer to *Engineering Section* for details.

## Approvals

CSA certified. UL listed as indicated.

Meets applicable CE directives.

Refer to *Engineering Section* for details.

**Specifications (English units)**

Body Material	Diaphragm/ Disc	Seals	Typical Applications	Pipe Size (ins.)	Orifice Size (ins.)	Cv Flow Factor	Max. Operating Pressure (psi)		Max. Fluid Temp. °F		Catalog Number	Const. Ref.	UL Listing	Watt Rating/ Class of Coil Insulation ④	
							AC	DC	AC	DC				AC	DC
CA	EPDM	-	Demineralized and Distilled Water, Sea Water	Bib for 1/4" I.D. Flexible Tubing or Hose	9/64	.35	6	6	130	120	D8260G054E	4	-	6.1/F	10.6/F
				1/4" O.D. Compression ①	9/64	.35	6	6	130	120	D8260G071E	3	-	6.1/F	10.6/F
PP	EPDM	-	Photo Solution, 20% Max. Concentration Hydrochloric Acid	Bib for 1/4" I.D. Flexible Tubing or Hose	9/64	.35	6	6	130	120	D8260G053E	4	-	6.1/F	10.6/F
					3/16	.53	6	6	130	120	D8260G056E	4	②	6.1/F	10.6/F
PP	FKM	-	95% Max. Concentration Phosphoric Acid 60% Max. Concentration Sulphuric Acid	Bib for 1/4" I.D. Flexible Tubing or Hose	9/64	.35	6	6	130	120	D8260G053V	4	-	6.1/F	10.6/F
					3/16	.53	6	6	130	120	D8260G056V	4	-	6.1/F	10.6/F
Brass (w/S.S. Seat)	PTFE	FKM	Hot Water, Steam Boiler Blowdown, Steam Cookers, Hot Cooking Oil, Deep Fat Cookers	3/8	3/8	1.8	15 ③	-	250	-	D8030 084	1	⑤	20/H	-
				1/2	3/8	2.2	15 ③	-	250	-	D8030 085	1	⑤	20/H	-
				3/4	3/8	2.2	15 ③	-	250	-	D8030 086	2	⑤	20/H	-
18-8 S.S.	PTFE	FKM	Hot Water, Steam Boiler Blowdown, Steam Cookers, Hot Cooking Oil, Deep Fat Cookers	1/2	3/8	2.2	15 ③	-	250	-	D8030 095	1	⑤	20/H	-

① Fittings not supplied with valve; refer to List Price Schedule. ② On 50 hz service, the rating for the 6.1/F solenoid is 8.1 watts.  
③ UL recognized component – AC only. ④ General Purpose Valves.  
⑤ Valves are suitable for closing at zero pressure differential.

**Specifications (Metric units)**

Body Material	Diaphragm/ Disc	Seals	Typical Applications	Pipe Size (ins.)	Orifice Size (mm)	Kv Flow Factor (m3/h)	Max. Operating Pressure (bar)		Max. Fluid Temp. °C		Catalog Number	Const. Ref.	UL Listing	Watt Rating/ Class of Coil Insulation ④	
							AC	DC	AC	DC				AC	DC
CA	EPDM	-	Demineralized and Distilled Water, Sea Water	Bib for 1/4" I.D. Flexible Tubing or Hose	4	.30	0.4	0.4	54	48.8	D8260G054E	4	-	6.1/F	10.6/F
				1/4" O.D. Compression ①	4	.30	0.4	0.4	54	48.8	D8260G071E	3	-	6.1/F	10.6/F
PP	EPDM	-	Photo Solution, 20% Max. Concentration Hydrochloric Acid	Bib for 1/4" I.D. Flexible Tubing or Hose	4	.30	0.4	0.4	54	48.8	D8260G053E	4	-	6.1/F	10.6/F
					5	.45	0.4	0.4	54	48.8	D8260G056E	4	②	6.1/F	10.6/F
PP	FKM	-	95% Max. Concentration Phosphoric Acid 60% Max. Concentration Sulphuric Acid	Bib for 1/4" I.D. Flexible Tubing or Hose	4	.30	0.4	0.4	54	48.8	D8260G053V	4	-	6.1/F	10.6/F
					5	.45	0.4	0.4	54	48.8	D8260G056V	4	-	6.1/F	10.6/F
Brass (w/S.S. Seat)	PTFE	FKM	Hot Water, Steam Boiler Blowdown, Steam Cookers, Hot Cooking Oil, Deep Fat Cookers	3/8	10	1.54	1 ③	-	120	-	D8030 084	1	⑤	20/H	-
				1/2	10	1.89	1 ③	-	120	-	D8030 085	1	⑤	20/H	-
				3/4	10	1.89	1 ③	-	120	-	D8030 086	2	⑤	20/H	-
18-8 S.S.	PTFE	FKM	Hot Water, Steam Boiler Blowdown, Steam Cookers, Hot Cooking Oil, Deep Fat Cookers	1/2	10	1.89	1 ③	-	120	-	D8030 095	1	⑤	20/H	-

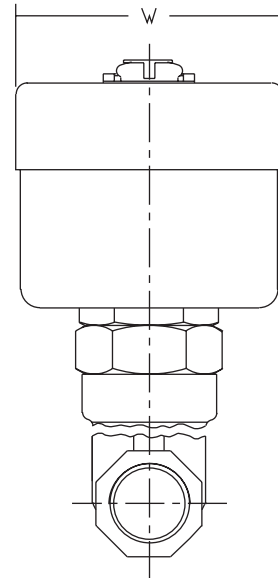
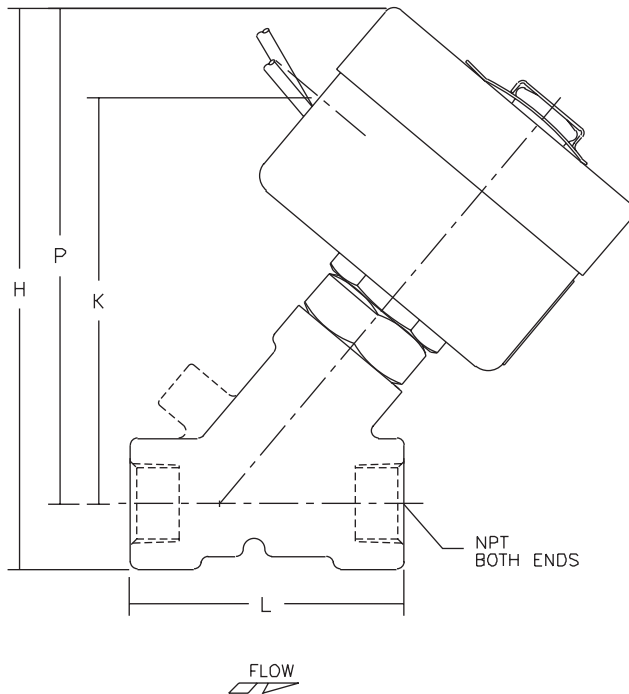
① Fittings not supplied with valve; refer to List Price Schedule. ② On 50 hz service, the rating for the 6.1/F solenoid is 8.1 watts.  
③ UL recognized component – AC only. ④ General Purpose Valves.  
⑤ Valves are suitable for closing at zero pressure differential.

**SPECIAL SERVICE VALVES**

### Dimensions inches (mm)

Const. Ref.		H	K	L	P	W
1	ins.	4.68	3.25	2.28	4.13	2.22
	mm	119	83	58	105	56
2	ins.	4.81	3.25	2.75	4.13	2.22
	mm	122	83	70	105	56
3	ins.	3.05	1.63	2.44	2.49	1.94
	mm	77	41	62	63	49
4	ins.	3.05	1.63	2.19	2.49	1.94
	mm	77	41	56	63	49

Const. Ref. 1, 2

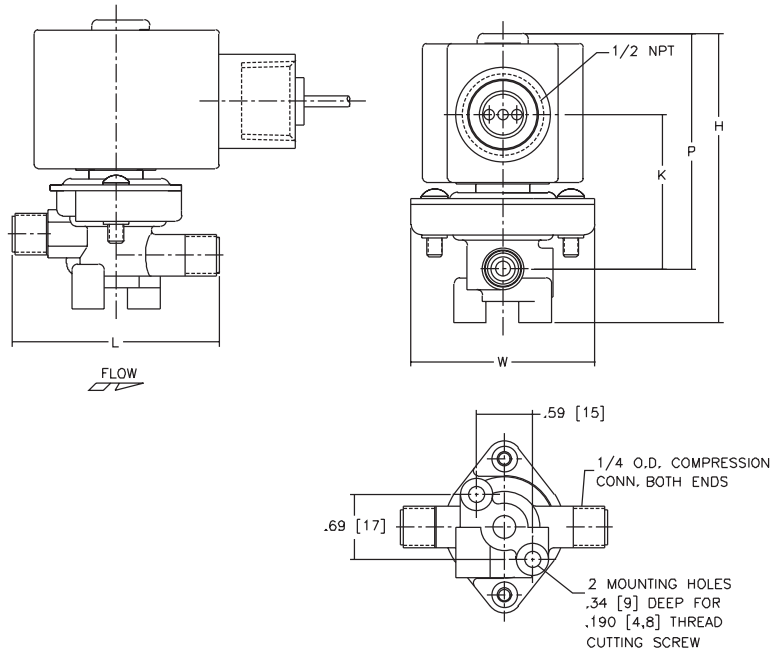


Const. Ref. 1 & 2 must be mounted with solenoid vertical and upright.

SPECIAL  
SERVICE VALVES

**Dimensions inches (mm)**

**Const. Ref. 3**



**Const. Ref. 4**

