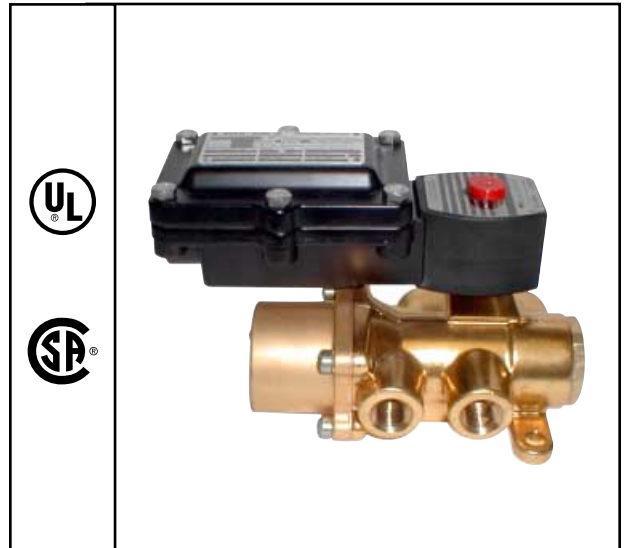




Explosion Proof Junction Box for Hazardous Locations

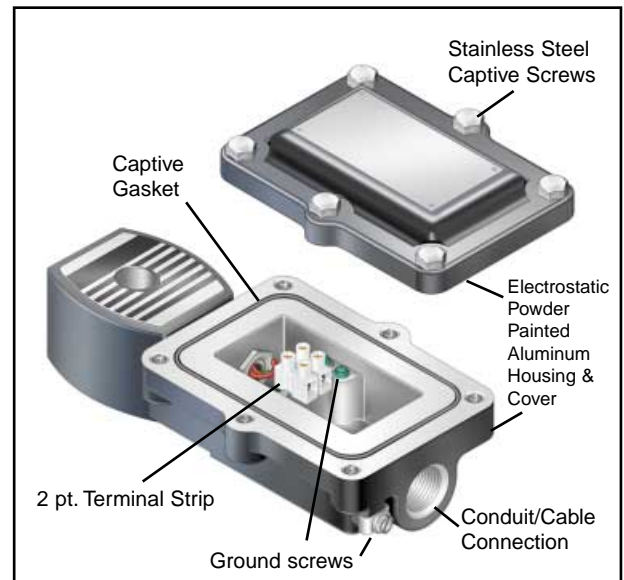
Features

- Junction Box Enclosure for the wiring of ASCO solenoids are Rain-tight Type 3 and 3S, Water-tight Type 4 and 4X, Submersible Type 6 and 6P, Explosion proof Class 7, Class I, Groups B, C, and D Dust-Ignition proof Type 9, Class II, Div. I, Groups E, F and G, Nonincendive Class I, Div. II (1.4 watts only).
- Worldwide agency approvals: UL, CSA. Cenelec pending.
- Electrostatic powder paint, stainless steel screws, and molded epoxy coils provide excellent protection in corrosion environments.
- Factory pre-wired and assembled to any explosion proof ASCO Red-Hat II solenoid valve.
- Reduces installation costs by eliminating the need to use a separate explosion proof splice box to terminate the solenoid valve's wiring.



Materials of Construction

Housing & Cover	Epoxy painted die cast aluminum
Gasket	Buna-N
Cover Screws	Stainless Steel
Coil	Epoxy Molded
Ground Screws	Steel
Terminal Block	Plastic
Lock Nut	Zinc



Electrical

Standard Voltages AC: 24, 120, 240, 480 volts, 60 Hz or (110, 220 volts, 50 Hz)

DC: 6, 12, 24, 120, 240

(Valves with JBEF housing maintain wattage and current ratings as shown on individual catalog sheets.)

Conduit Sizes

1/2" NPT	JBEF Prefix	(Standard)
3/4" NPT	JCEF Prefix	(Optional)
M20	JDEF Prefix	(Optional)

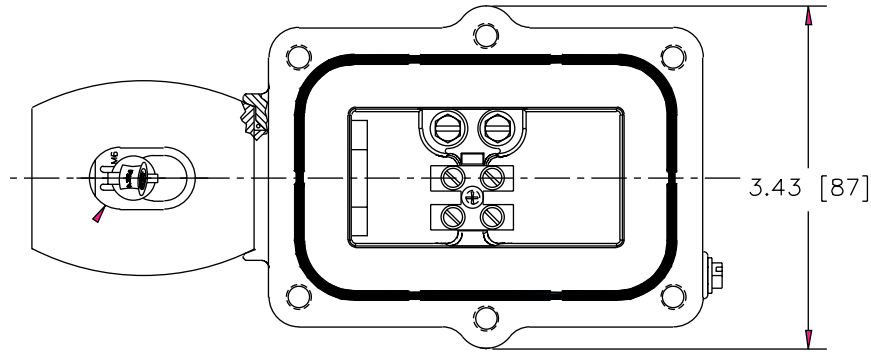
Ordering Information

Add prefix corresponding to specific conduit size required to any Red-Hat II valve catalog numbers & specify the voltage. Example JBEF8210G095, 120/60.

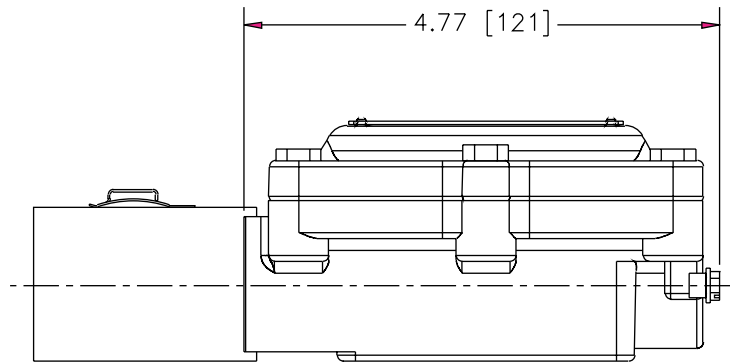
Approvals

UL & CSA (CSA to -25°F), (Cenelec Pending)

Dimensions: inches (mm)



SHOWN WITH SCREWS
AND COVER REMOVED



Replacement Coil Kits

Kit Number	Size (watts)	Voltage
278000-032	6.1	120/60
278000-132	9.1	120/60
278001-006	10.6	24DC
278012-032	10.1	120/60
278012-132	17.1	120/60
278013-006	11.6	24DC
278024-032	20.1	120/60

